

G.r.a, gyrating romantic, *rings of light*.

design Bruno Rainaldi
terzani.com

TERZANI
LA LUCE PENSATA



Product Name
G.r.a.
oval pendant light

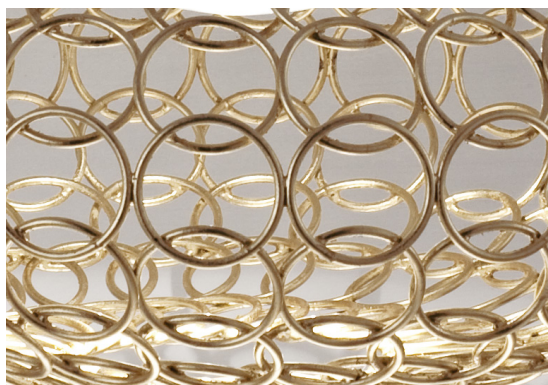
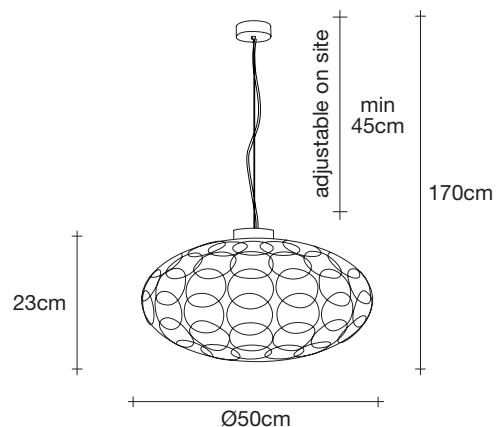
Materials
metal



Finishes | Code

-  nickel
ON41S E7 C8. L
-  gold leaf
ON41S H5 C8. L
-  gold plated
ON41S P3 C8. L

Body




Integrated Led

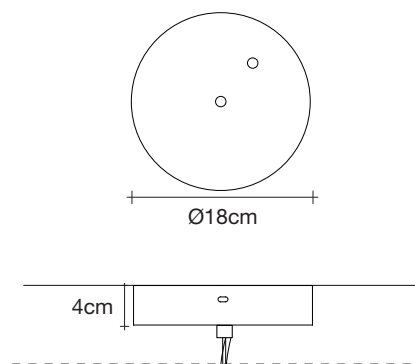
220-240V ~ 50/60Hz

-  COB LED integrated
18W 1640lm 3000K
or optional 2700K

dimnable with

-  1-10V
PUSH
DALI system

Canopy



This clean, precise form is the result of hours of labor by our artisans, who meticulously weld each ring together. G.r.a. is a delicate, refined pendant whose intricate shape belies its romantic glow. Available as an oval or a sphere, and finished in nickel or gold, G.r.a. serves as an elegant, unobtrusive complement to any room. Design Bruno Rainaldi.

G.r.a, gyrating romantic, *rings of light*.

design Bruno Rainaldi
terzani.com

TERZANI
LA LUCE PENSATA



Product Name

G.r.a.
small pendant light

Materials

metal



Finishes | Code



nickel
0N43S E7 C8. L

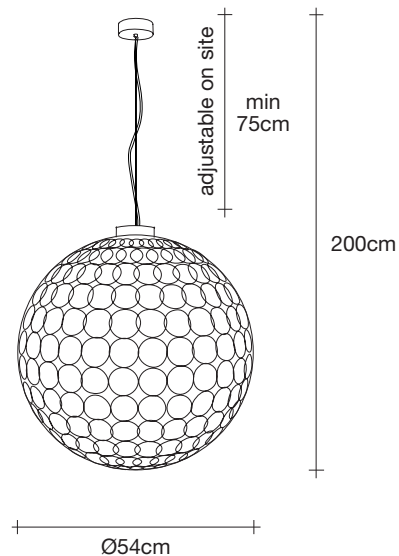


gold leaf
0N43S H5 C8. L



gold plated
0N43S P3 C8. L

Body



Integrated Led

220-240V ~ 50/60Hz



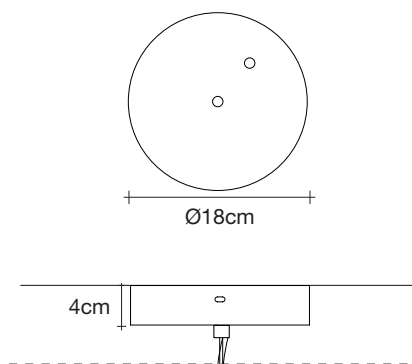
COB LED integrated
18W 1640lm 3000K
or optional 2700K

dimnable with



1-10V
PUSH
DALI system

Canopy



This clean, precise form is the result of hours of labor by our artisans, who meticulously weld each ring together. G.r.a. is a delicate, refined pendant whose intricate shape belies its romantic glow. Available as an oval or a sphere, and finished in nickel or gold, G.r.a. serves as an elegant, unobtrusive complement to any room. Design Bruno Rainaldi.

G.r.a, gyrating romantic, *rings of light*.

design Bruno Rainaldi
terzani.com

TERZANI
LA LUCE PENSATA



Product Name
G.r.a.
medium pendant light

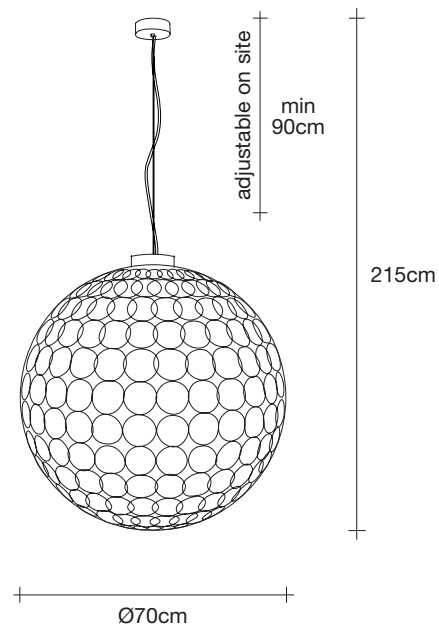
Materials
metal



Finishes | Code

-  nickel
0N42S E7 C8. L
-  gold leaf
0N42S H5 C8. L
-  gold plated
0N42S P3 C8. L

Body




Integrated Led

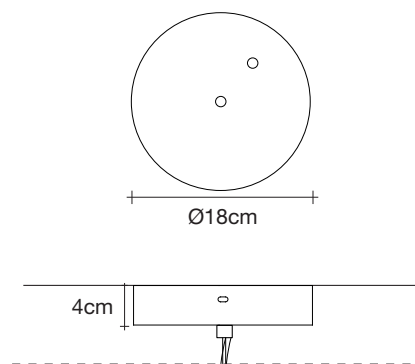
220-240V ~ 50/60Hz

 COB LED integrated
18W 1640lm 3000K
or optional 2700K

dimnable with

 1-10V
PUSH
DALI system

Canopy



This clean, precise form is the result of hours of labor by our artisans, who meticulously weld each ring together. G.r.a. is a delicate, refined pendant whose intricate shape belies its romantic glow. Available as an oval or a sphere, and finished in nickel or gold, G.r.a. serves as an elegant, unobtrusive complement to any room. Design Bruno Rainaldi.

G.r.a, gyrating romantic, *rings of light.*

design Bruno Rainaldi
terzani.com

TERZANI
LA LUCE PENSATA



Product Name

G.r.a.
large pendant light

Materials

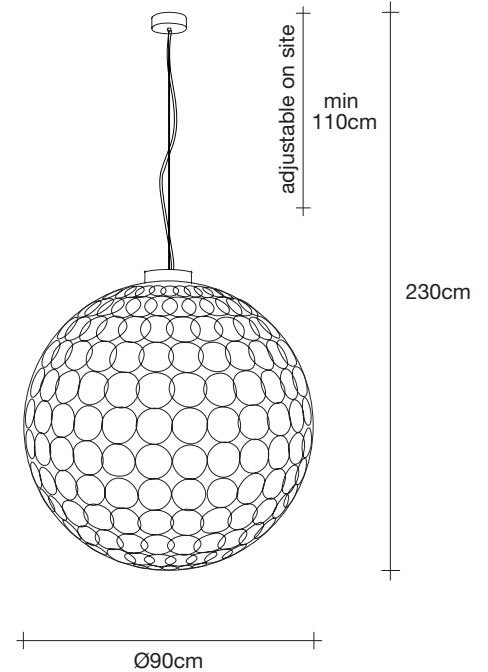
metal



Finishes | Code

-  nickel
ON40S E7 C8. L
-  gold
ON40S H5 C8. L
-  gold plated
ON40S P3 C8. L

Body



Integrated Led

220-240V ~ 50/60Hz



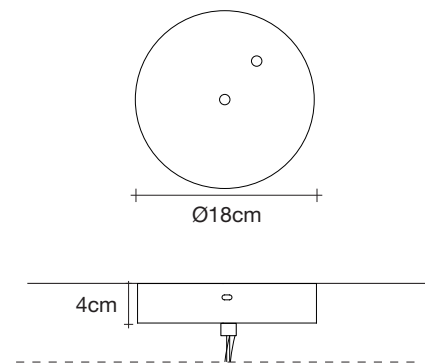
COB LED integrated
18W 1640lm 3000K
or optional 2700K

dimnable with



1-10V
PUSH
DALI system

Canopy



This clean, precise form is the result of hours of labor by our artisans, who meticulously weld each ring together. G.r.a. is a delicate, refined pendant whose intricate shape belies its romantic glow. Available as an oval or a sphere, and finished in nickel or gold, G.r.a. serves as an elegant, unobtrusive complement to any room. Design Bruno Rainaldi.