

Argent, a precious, *cloud.*

design Dodo Arslan
terzani.com

TERZANI
LA LUCE PENSATA



Product Name

Argent
table lamp

Materials


stainless steel




Finishes | Code


 stainless steel
0N98B E7 C8.

 gold plated
0N98B L6 C8.

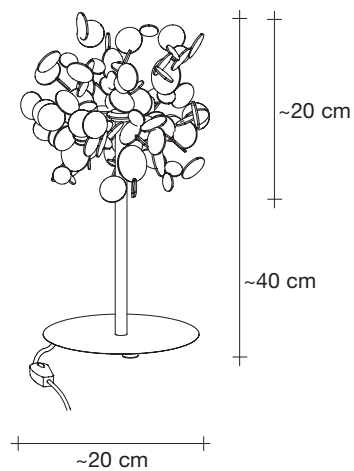
 rose gold
0N98B N4 C8.

or on request

 champagne

 black nickel


Body



Recommended Light

230-240V ~ 50/60Hz

 LED
3 x 2W G4 12V

 not dimmable

With this new suspension light, designer Dodo Arslan creates a shimmering, silver cloud. Argent consists of metal discs that have been meticulously joined by hand by Terzani craftsmen into clusters. Once lit, the multiple, angled surfaces of the discs emanate a soft, shimmering glow. Design Dodo Arslan.

Atlantis, a precious *wave*.

design Barlas Baylar
terzani.com

TERZANI
LA LUCE PENSATA







Product Name
Atlantis
small three tier chandelier

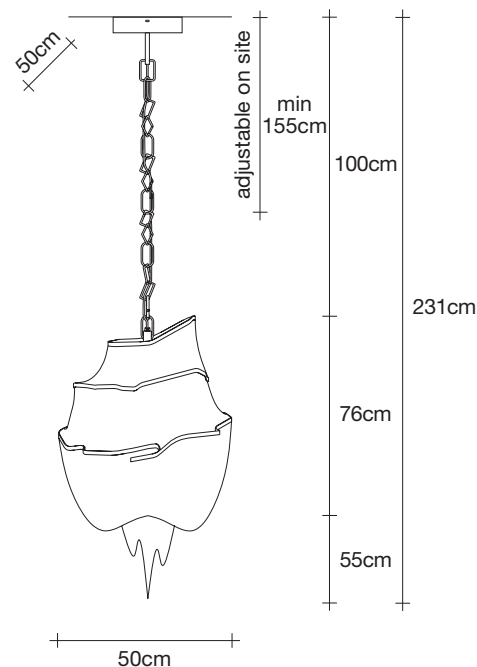
Materials
brass chains and metal
structure plated as below



Finishes | Code

-  nickel
0A13S E7 C8.
-  black nickel
0A13S E9 C8.
-  bronze
0A13S F7 C8.
-  gold
0A13S L6 C8.
-  champagne
0A13S N1 C8.
-  brushed champagne
0A13S N7 C8.

Body




Recommended Light

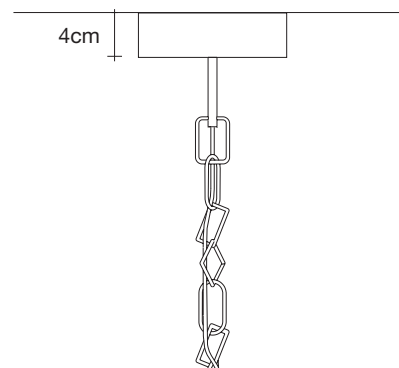
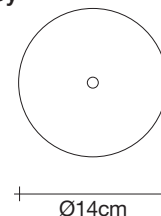
230-240V ~ 50/60Hz

 LED
6 x 6W E14

dimmable with

 all systems

Canopy



Seemingly alive, atlantis' shimmering light creates a vibrant source of energy. Its mesmerizing, organic effect is created by hundreds of illuminated lengths of draped, nickel chain. Like water in the ocean, atlantis' chains appear liquid, cascading over its gloss nickel bands and falling down towards the abyss before turning back into itself. Atlantis is composed of almost three miles of chain, meticulously hand-crafted by master italian artisans. Design Barlas Baylar.

Atlantis, a precious *wave*.

design Barlas Baylar
terzani.com

TERZANI
LA LUCE PENSATA



Product Name


Atlantis
medium three tier chandelier

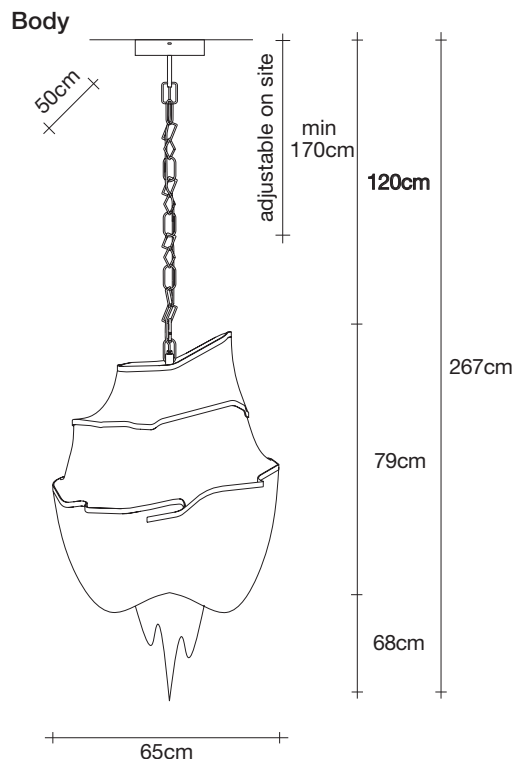
Materials

brass chains and metal
structure plated as below



Finishes | Code

-  nickel
0A14S E7 C8.
-  black nickel
0A14S E9 C8.
-  bronze
0A14S F7 C8.
-  gold
0A14S L6 C8.
-  champagne
0A14S N1 C8.
-  brushed champagne
0A14S N7 C8.



Recommended Light

230-240V ~ 50/60Hz



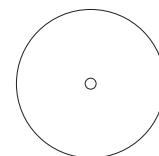
LED
8 x 6W E14

dimmable with

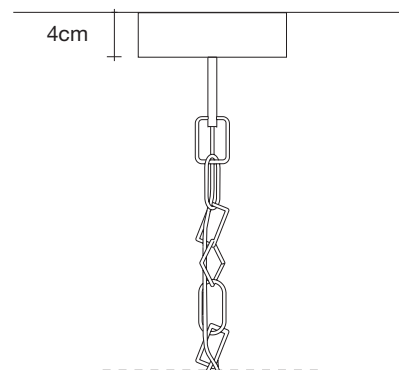


all systems

Canopy



Ø14cm



Seemingly alive, atlantis' shimmering light creates a vibrant source of energy. Its mesmerizing, organic effect is created by hundreds of illuminated lengths of draped, nickel chain. Like water in the ocean, atlantis' chains appear liquid, cascading over its gloss nickel bands and falling down towards the abyss before turning back into itself. Atlantis is composed of almost three miles of chain, meticulously hand-crafted by master italian artisans. Design Barlas Baylar.

Atlantis, a precious *wave*.

design Barlas Baylar
terzani.com

TERZANI
LA LUCE PENSATA



Product Name

Atlantis
large three tier chandelier

Materials

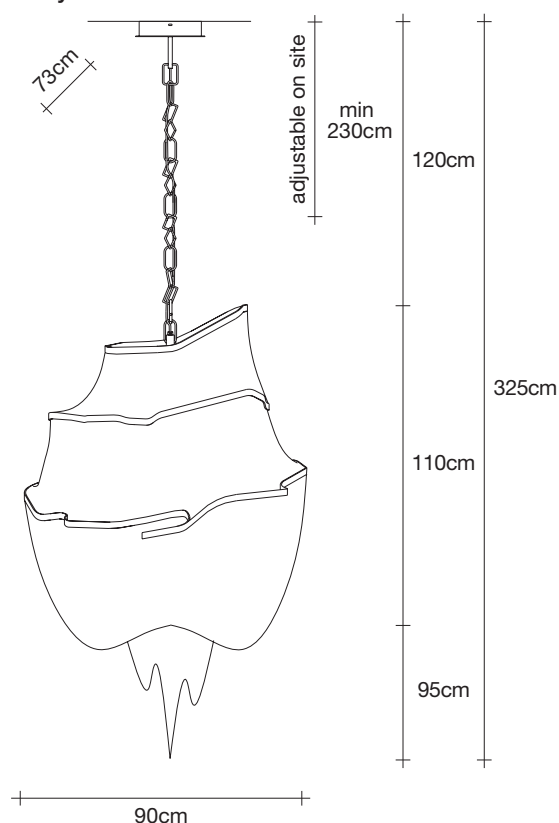
brass chains and metal
structure plated as below



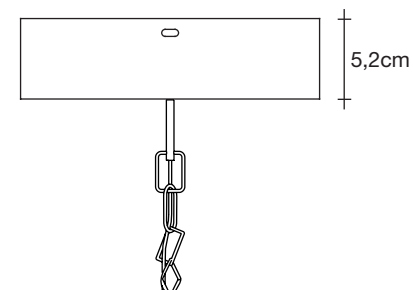
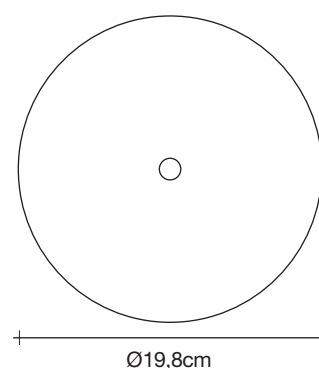
Finishes | Code

-  nickel
0A15S E7 C8.
-  black nickel
0A15S E9 C8.
-  bronze
0A15S F7 C8.
-  gold
0A15S L6 C8.
-  champagne
0A15S N1 C8.
-  brushed champagne
0A15S N7 C8.

Body



Canopy



Recommended Light

230-240V ~ 50/60Hz



LED
8 x 6W E14

dimmable with



all systems

Seemingly alive, atlantis' shimmering light creates a vibrant source of energy. Its mesmerizing, organic effect is created by hundreds of illuminated lengths of draped, nickel chain. Like water in the ocean, atlantis' chains appear liquid, cascading over its gloss nickel bands and falling down towards the abyss before turning back into itself. Atlantis is composed of almost three miles of chain, meticulously hand-crafted by master italian artisans. Design Barlas Baylar.

Atlantis, a precious *wave*.

design Barlas Baylar
terzani.com



Product Name


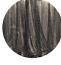




Atlantis
small linear chandelier

Materials

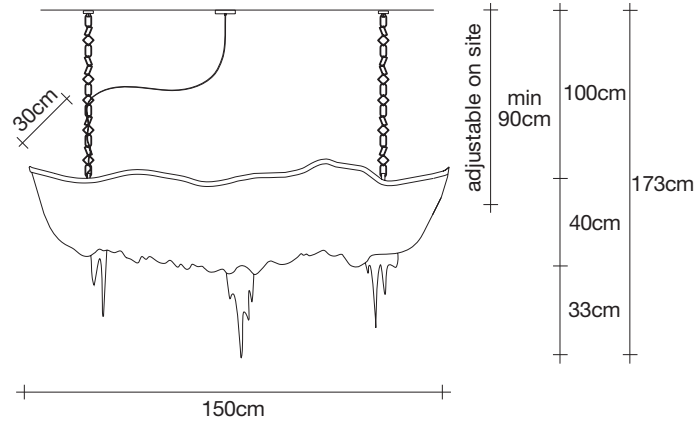
brass chains and metal structure plated as below



Finishes | Code

-  nickel
0A18S E7 C8.
-  black nickel
0A18S E9 C8.
-  bronze
0A18S F7 C8.
-  gold
0A18S L6 C8.
-  champagne
0A18S N1 C8.
-  brushed champagne
0A18S N7 C8.

Body




Recommended Light

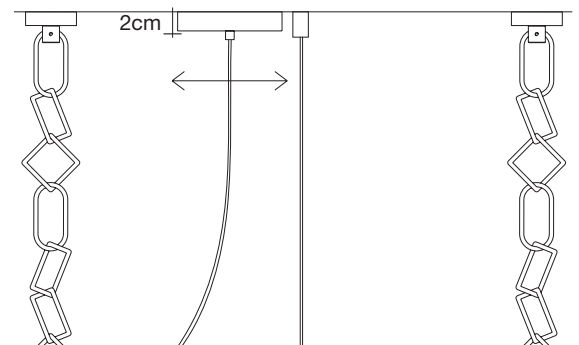
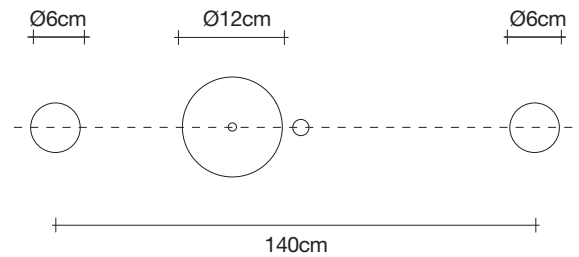
230-240V ~ 50/60Hz

 LED
8 x 6W E14

dimmable with

 all systems

Canopy



Seemingly alive, atlantis' shimmering light creates a vibrant source of energy. Its mesmerizing, organic effect is created by hundreds of illuminated lengths of draped, nickel chain. Like water in the ocean, atlantis' chains appear liquid, cascading over its gloss nickel bands and falling down towards the abyss before turning back into itself. Atlantis is composed of almost three miles of chain, meticulously hand-crafted by master italian artisans. Design Barlas Baylar.

Atlantis, a precious *wave*.

design Barlas Baylar
terzani.com


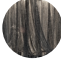




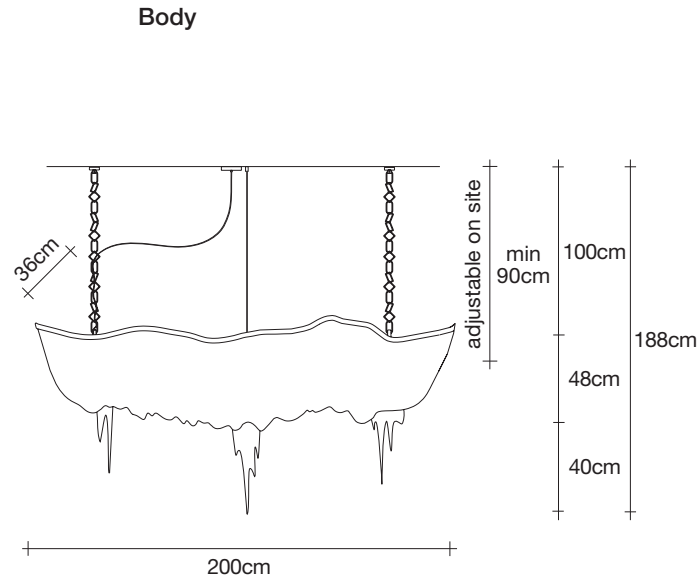
Product Name
Atlantis
medium linear chandelier

Materials
brass chains and metal
structure plated as below





Finishes | Code

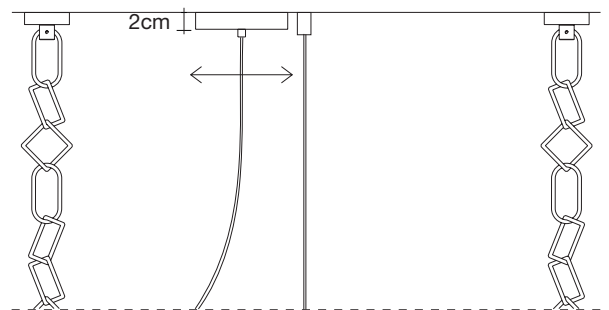
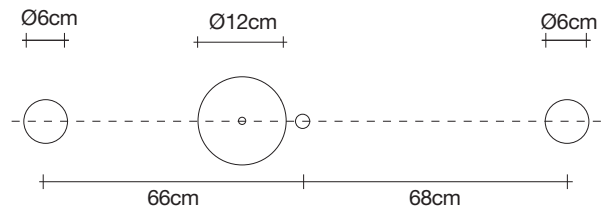
-  nickel
0A17S E7 C8.
-  black nickel
0A17S E9 C8.
-  bronze
0A17S F7 C8.
-  gold
0A17S L6 C8.
-  champagne
0A17S N1 C8.
-  brushed champagne
0A17S N7 C8.



Recommended Light
230-240V ~ 50/60Hz

-  LED
10 x 6W E14
- dimnable with**
-  all systems

Canopy



Seemingly alive, atlantis' shimmering light creates a vibrant source of energy. Its mesmerizing, organic effect is created by hundreds of illuminated lengths of draped, nickel chain. Like water in the ocean, atlantis' chains appear liquid, cascading over its gloss nickel bands and falling down towards the abyss before turning back into itself. Atlantis is composed of almost three miles of chain, meticulously hand-crafted by master italian artisans. Design Barlas Baylar.

Atlantis, a precious *wave*.

design Barlas Baylar
terzani.com








Product Name
Atlantis
large linear chandelier

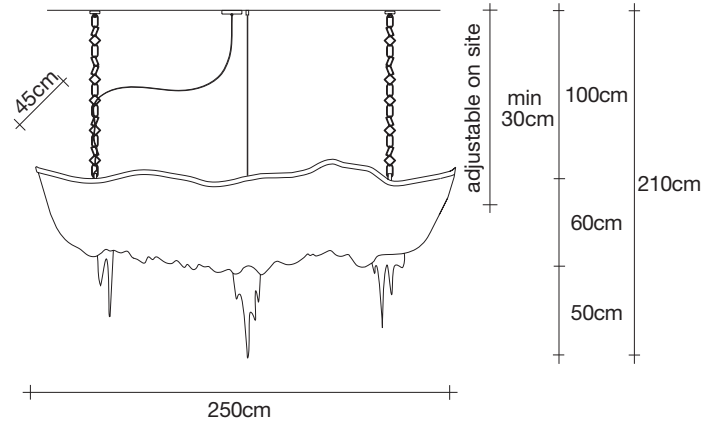
Materials
brass chains and metal
structure plated as below





Finishes | Code

-  nickel
0A16S E7 C8.
-  black nickel
0A16S E9 C8.
-  bronze
0A16S F7 C8.
-  gold
0A16S L6 C8.
-  champagne
0A16S N1 C8.
-  brushed champagne
0A16S N7 C8.

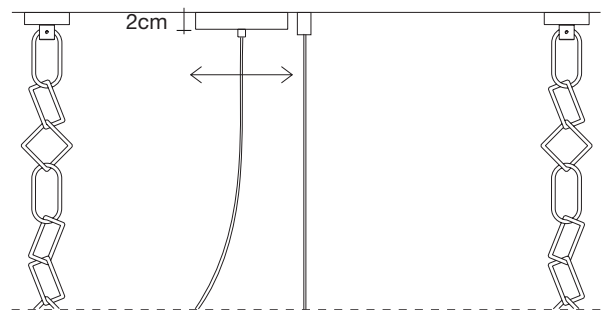
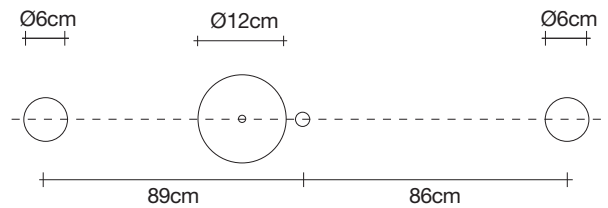
Body



Recommended Light
230-240V ~ 50/60Hz

-  LED
10 x 6W E14
- dimmable with**
-  all systems

Canopy



Seemingly alive, atlantis' shimmering light creates a vibrant source of energy. Its mesmerizing, organic effect is created by hundreds of illuminated lengths of draped, nickel chain. Like water in the ocean, atlantis' chains appear liquid, cascading over its gloss nickel bands and falling down towards the abyss before turning back into itself. Atlantis is composed of almost three miles of chain, meticulously hand-crafted by master italian artisans. Design Barlas Baylar.

Atlantis, a precious *wave*.

design Barlas Baylar
terzani.com

TERZANI
LA LUCE PENSATA



Product Name

Atlantis
two tier chandelier

Materials

brass chains and metal
structure plated as below



Finishes | Code

-  nickel
OJ01S E7 C8.
-  black nickel
OJ01S E9 C8.
-  bronze
OJ01S F7 C8.
-  gold
OJ01S L6 C8.
-  champagne
OJ01S N1 C8.
-  brushed champagne
OJ01S N7 C8.




Recommended Light

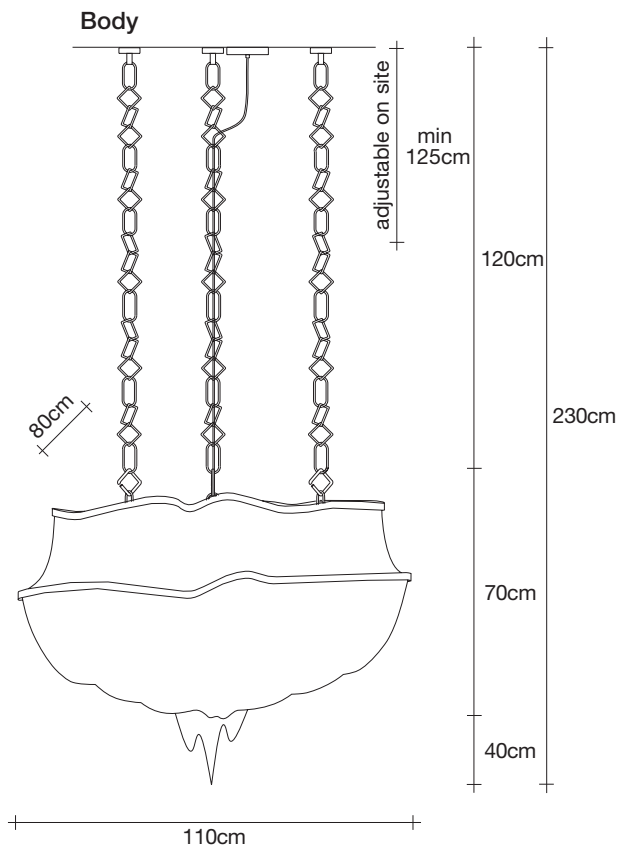
230-240V ~ 50/60Hz

 LED
8 x 6W E14

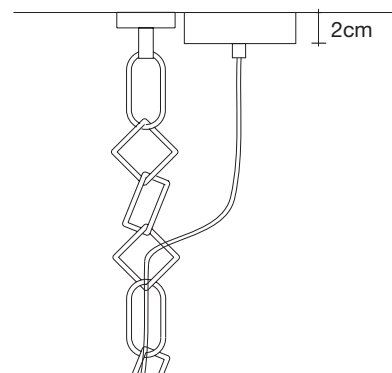
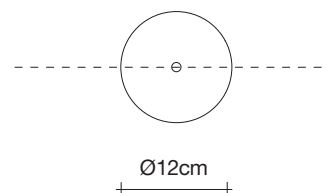
dimmable with

 all systems

Seemingly alive, atlantis' shimmering light creates a vibrant source of energy. Its mesmerizing, organic effect is created by hundreds of illuminated lengths of draped, nickel chain. Like water in the ocean, atlantis' chains appear liquid, cascading over its gloss nickel bands and falling down towards the abyss before turning back into itself. Atlantis is composed of almost three miles of chain, meticulously hand-crafted by master italian artisans. Design Barlas Baylar.



Canopy



Atlantis, a precious *wave*.

design Barlas Baylar
terzani.com

TERZANI
LA LUCE PENSATA



Product Name

Atlantis
small wall sconce

Materials

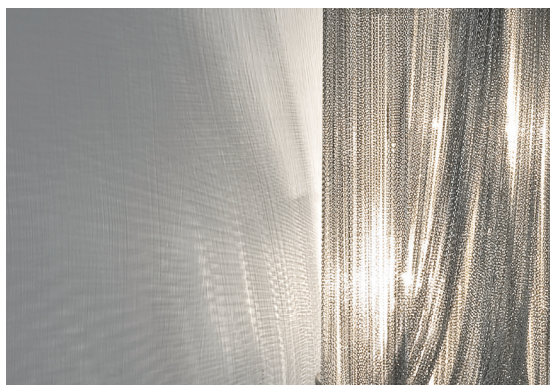
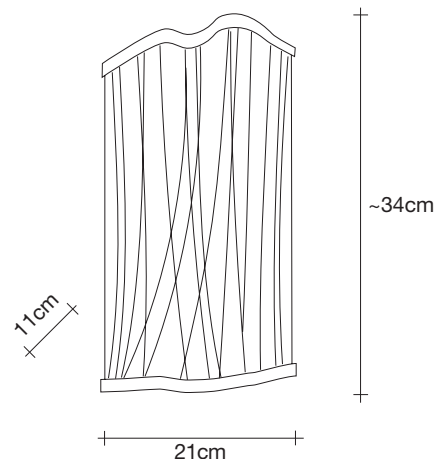
brass chains and metal
structure plated as below



Finishes | Code

-  nickel
OJ04A E7 C8.
-  black nickel
OJ04A E9 C8.
-  bronze
OJ04A F7 C8.
-  gold
OJ04A L6 C8.
-  champagne
OJ04A N1 C8.
-  brushed champagne
OJ04A N7 C8.

Body

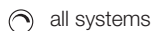


Recommended Light

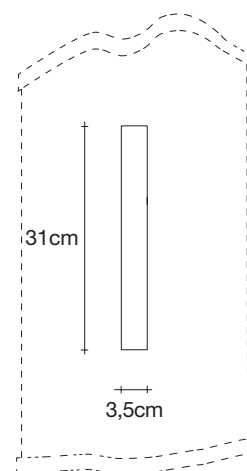
220-240V ~ 50/60Hz



dimmable with



Canopy



Seemingly alive, atlantis' shimmering light creates a vibrant source of energy. Its mesmerizing, organic effect is created by hundreds of illuminated lengths of draped, nickel chain. Like water in the ocean, atlantis' chains appear liquid, cascading over its gloss nickel bands and falling down towards the abyss before turning back into itself. Atlantis is composed of almost three miles of chain, meticulously hand-crafted by master italian artisans. Design Barlas Baylar.

Atlantis, a precious *wave*.

design Barlas Baylar
terzani.com

TERZANI
LA LUCE PENSATA



Product Name

Atlantis
large wall sconce

Materials

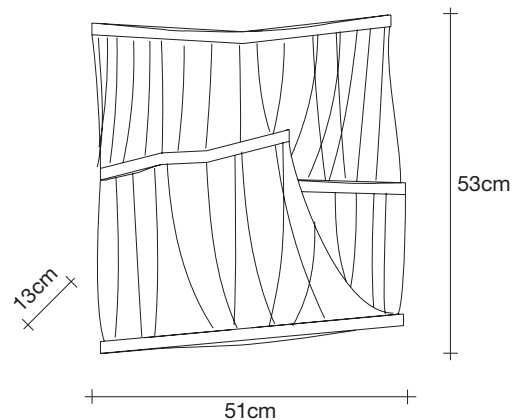
brass chains and metal
structure plated as below



Finishes | Code

-  nickel
OJ03A E7 C8.
-  black nickel
OJ03A E9 C8.
-  bronze
OJ03A F7 C8.
-  gold
OJ03A L6 C8.
-  champagne
OJ03A N1 C8.
-  brushed champagne
OJ03A N7 C8.

Body



Recommended Light

220-240V ~ 50/60Hz



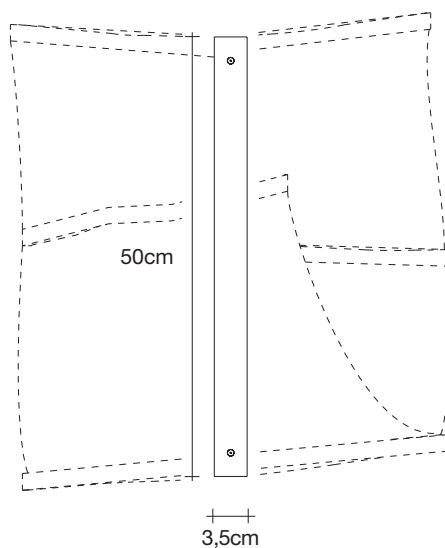
LED
4 x 6W E14

dimmable with



all systems

Canopy



Seemingly alive, atlantis' shimmering light creates a vibrant source of energy. Its mesmerizing, organic effect is created by hundreds of illuminated lengths of draped, nickel chain. Like water in the ocean, atlantis' chains appear liquid, cascading over its gloss nickel bands and falling down towards the abyss before turning back into itself. Atlantis is composed of almost three miles of chain, meticulously hand-crafted by master italian artisans. Design Barlas Baylar.