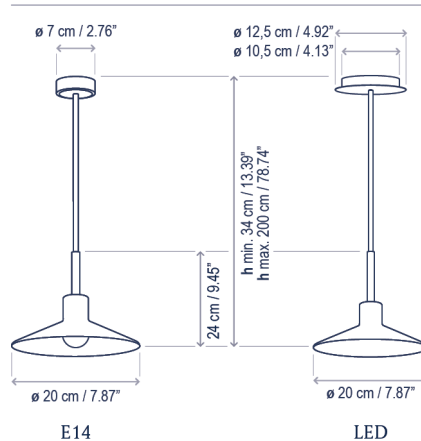


Platet S/20

Diseño / Design:
Christophe Mathieu / 2020

Tipología: Suspensión
Typology: Pendant lamp

Ambiente: Interior
Environment: Indoor



Descripción técnica / Technical description:

Peso Neto: 0,73 kg
Net Weight: 0,73 kg

1 Caja/Box | 40 x 40 x 25 cm | 0,04 m³
Peso bruto / Gross Weight: 2,35 kg

**Diámetro empotramiento: ø10cm
**Embedding diameter: ø10 cm

Materiales: Aluminio, Latón, Hierro
Materials: Aluminum, Brass, Iron

Interior de la pantalla en blanco
White inner lampshade

Personalizable
Customizable

*Bombillas no incluidas
*Bulbs not included

Regulable solo si se utilizan bombillas regulables. / Dimmable only if dimmable bulbs are used.

Certificaciones
Certifications



Descripción lámpara / Lamps description:

110-240V 50/60Hz | IP-20 | 1 x 5 W E-14 LED P45 |

| Ref | Acabados / Finishing | Ean13 |
|--------------|---|---------------|
| *21103217149 | Negro Ébano -Teja Ebony Black-Terracotta | 8435493736525 |
| *21103217148 | Negro Ébano -Gris Claro Ebony Black-Light Grey | 8435493736501 |
| *21103217147 | Negro Ébano -Gris Oliva Ebony Black-Olive Grey | 8435493736488 |
| *21103217153 | Negro Ébano -Patiné Ebony Black-Antique Brass | 8435493736549 |

Descripción lámpara / Lamps description:

230V 50Hz | IP-20 | 4,2W LED / CRI: 90 / 2700°K 504 lm fuente de luz / light source

| Ref | Acabados / Finishing | Ean13 |
|-------------|--|---------------|
| 21103215149 | Regulable Triac - Negro Ébano -Teja Dimmable Triac - Ebony Black-Terracotta | 8435493736365 |
| 21103215148 | Regulable Triac - Negro Ébano -Gris Claro Dimmable Triac - Ebony Black-Light Grey | 8435493736334 |
| 21103215147 | Regulable Triac - Negro Ébano -Gris Oliva Dimmable Triac - Ebony Black-Olive Grey | 8435493736310 |
| 21103215153 | Regulable Triac - Negro Ébano -Patiné Dimmable Triac - Ebony Black-Antique Brass | 8435493736389 |

Descripción lámpara / Lamps description:

110-240V 50/60Hz | IP-20 | 4,2W LED / CRI: 90 / 2700°K 504 lm fuente de luz / light source

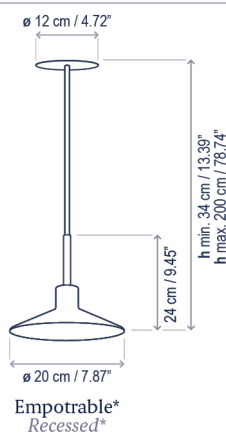
| Ref | Acabados / Finishing | Ean13 |
|-------------|--|---------------|
| 21103210149 | Regulable 0-10V - Negro Ébano -Teja Dimmable 0-10V - Ebony Black-Terracotta | 8435493736440 |
| 21103210148 | Regulable 0-10V - Negro Ébano -Gris Claro Dimmable 0-10V - Ebony Black-Light Grey | 8435493736426 |
| 21103210147 | Regulable 0-10V - Negro Ébano -Gris Oliva Dimmable 0-10V - Ebony Black-Olive Grey | 8435493736402 |
| 21103210153 | Regulable 0-10V - Negro Ébano -Patiné Dimmable 0-10V - Ebony Black-Antique Brass | 8435493736464 |

bover
barcelona lights

Avda. Catalunya 173
Poligon Ind. Sud
08440 Cardedeu
Barcelona, Spain

T. +34 938 713 152
F. +34 938 462 089
info@bover.es
www.bover.es

Platet S/20



Descripción lámpara (Empotrable) / Lamps description (Recessed):



| Ref | Acabados / Finishing | Ean13 |
|---------------|---|---------------|
| **21103221149 | Regulable Triac - Negro Ébano -Teja <i>Dimmable Triac - Ebony Black-Terracotta</i> | 8435493736204 |
| **21103221148 | Regulable Triac - Negro Ébano -Gris Claro <i>Dimmable Triac - Ebony Black-Light Grey</i> | 8435493736181 |
| **21103221147 | Regulable Triac - Negro Ébano -Gris Oliva <i>Dimmable Triac - Ebony Black-Olive Grey</i> | 8435493736167 |
| **21103221153 | Regulable Triac - Negro Ébano -Patiné <i>Dimmable Triac - Ebony Black-Antique Brass</i> | 8435493736228 |

Descripción lámpara (Empotrable) / Lamps description (Recessed):



| Ref | Acabados / Finishing | Ean13 |
|---------------|---|---------------|
| **21103222149 | Regulable 0-10V - Negro Ébano -Teja <i>Dimmable 0-10V - Ebony Black-Terracotta</i> | 8435493736280 |
| **21103222148 | Regulable 0-10V - Negro Ébano -Gris Claro <i>Dimmable 0-10V - Ebony Black-Light Grey</i> | 8435493736266 |
| **21103222147 | Regulable 0-10V - Negro Ébano -Gris Oliva <i>Dimmable 0-10V - Ebony Black-Olive Grey</i> | 8435493736242 |
| **21103222153 | Regulable 0-10V - Negro Ébano -Patiné <i>Dimmable 0-10V - Ebony Black-Antique Brass</i> | 8435493736303 |

Familia / Family: Platet



bover
barcelona lights

Avda. Catalunya 173
Poligon Ind. Sud
08440 Cardedeu
Barcelona, Spain

T. +34 938 713 152
F. +34 938 462 089
info@bover.es
www.bover.es