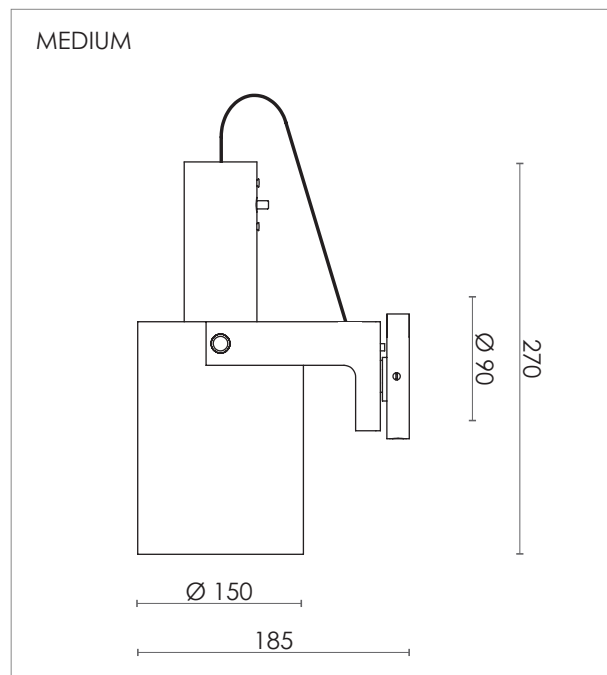
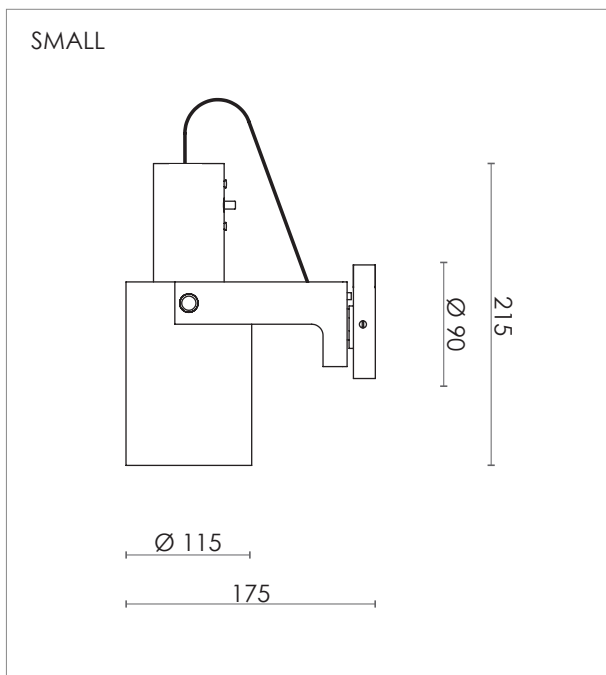


# VOLUME 2 WALL



## DESIGN SPECIFICATIONS

### DIMENSIONS (mm)

SMALL H 215 x W 175 - SHADE Ø 115  
MEDIUM H 270 x W 185 - SHADE Ø 150

**WEIGHT (kg)** 1,2 / 1,7

**MATERIALS** THE LAMP IS MADE FROM CLEAR LACQURED BRASS OR POWDER COATED STEEL

**CORD (mm)** BLACK TEXTILE - L 3900

**ENVIRONMENT** INDOOR

**DESIGN BY** NICLAS HOFLIN

**DESIGN YEAR** 2007

## ELECTRICAL SPECIFICATIONS

**SWITCH** NO

**BULB HOLDER** S GU10 / M E27

**LIGHT SOURCE** INCLUDED DIMMABLE  
S 4 W - 2700K  
M 7 W - 2700K

**DIMMABLE** YES

**MAX (W)** 7 W LED

**VOLTAGE** 230 / 240

**CLASS** 1

**IP** 20

## COLOURS



**BLACK / BRASS**

WITH CABLE  
DIRECT MOUNT

**SMALL** ART.NO. 411261005  
ART.NO. 411265005

**MEDIUM** ART.NO. 411263005  
ART.NO. 411267005

**SLATE GREY / BRASS**

WITH CABLE  
DIRECT MOUNT

**SMALL** ART.NO. 411261025  
ART.NO. 411265025

**MEDIUM** ART.NO. 411263025  
ART.NO. 411267025

**UMBRA GREY / BRASS**

WITH CABLE  
DIRECT MOUNT

**SMALL** ART.NO. 411261026  
ART.NO. 411265026

**MEDIUM** ART.NO. 411263026  
ART.NO. 411267026

**SOIL GREY / BRASS**

WITH CABLE  
DIRECT MOUNT

**SMALL** ART.NO. 411261030  
ART.NO. 411265030

**MEDIUM** ART.NO. 411263030  
ART.NO. 411267030

**WHITE / BRASS**

WITH CABLE  
DIRECT MOUNT

**SMALL** ART.NO. 411261202  
ART.NO. 411265202

**MEDIUM** ART.NO. 411263202  
ART.NO. 411267202