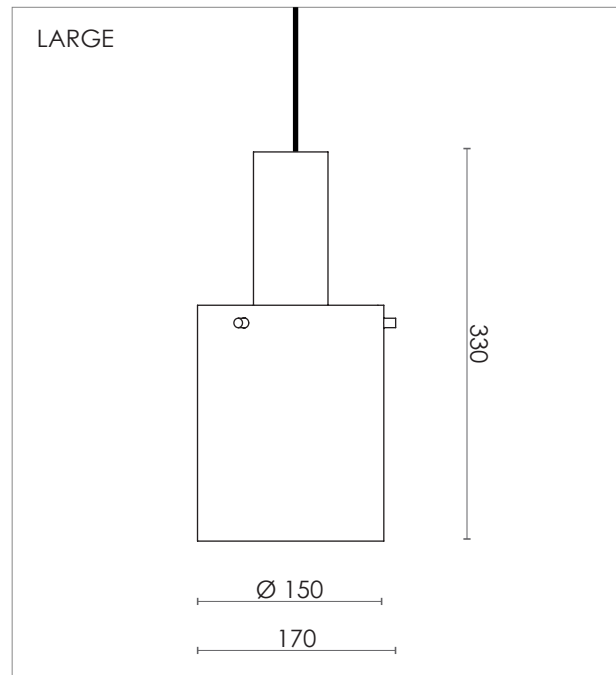
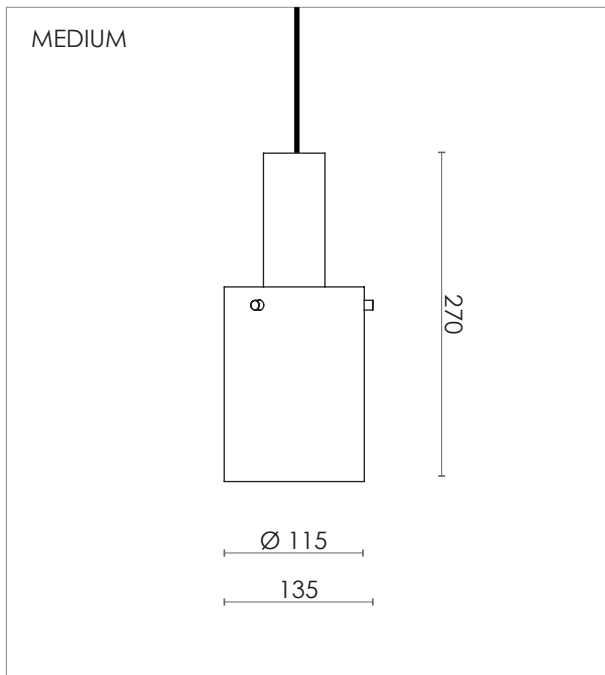


# VOLUME 2 PENDANT



## DESIGN SPECIFICATIONS

### DIMENSIONS (mm)

MEDIUM H 270 x W 135 - SHADE Ø 115  
LARGE H 330 x W 170 - SHADE Ø 150

**WEIGHT (kg)** 1,3 / 2,0

**MATERIALS** THE LAMP IS MADE FROM CLEAR LACQURED BRASS OR POWDER COATED STEEL

**CORD (mm)** BLACK TEXTILE - L 3900

**ENVIRONMENT** INDOOR

**DESIGN BY** NICLAS HOFLIN

**DESIGN YEAR** 2007

## ELECTRICAL SPECIFICATIONS

**SWITCH** NO

**BULB HOLDER** E27

**LIGHT SOURCE** INCLUDED DIMMABLE  
7 W - 2700K

**DIMMABLE** YES






**MAX (W)** 7 W LED

**VOLTAGE** 230 / 240

**CLASS** 1

**IP** 20

## COLOURS

	<b>BLACK / BRASS</b>	<b>MEDIUM</b> ART.NO. 411574005	<b>LARGE</b> ART.NO. 411575005
	<b>SLATE GREY / BRASS</b>	<b>MEDIUM</b> ART.NO. 411574025	<b>LARGE</b> ART.NO. 411575025
	<b>UMBRA GREY / BRASS</b>	<b>MEDIUM</b> ART.NO. 411574026	<b>LARGE</b> ART.NO. 411575126
	<b>SOIL / BRASS</b>	<b>MEDIUM</b> ART.NO. 411574030	<b>LARGE</b> ART.NO. 411575030
	<b>WHITE / BRASS</b>	<b>MEDIUM</b> ART.NO. 411574202	<b>LARGE</b> ART.NO. 411575202