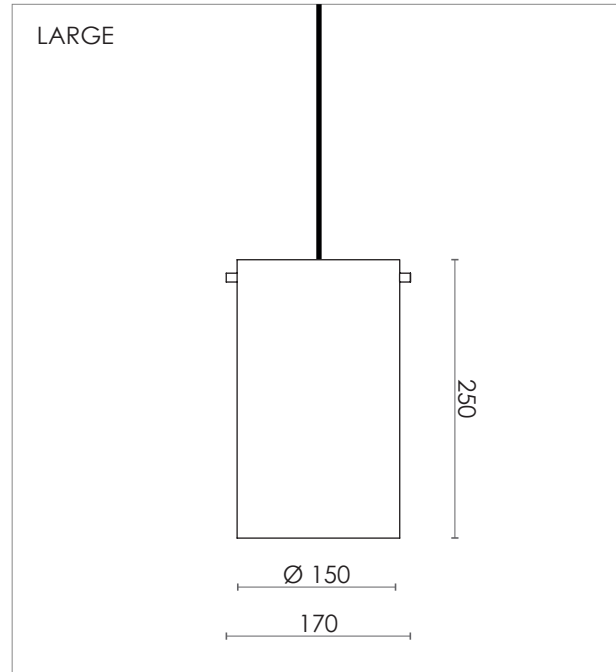
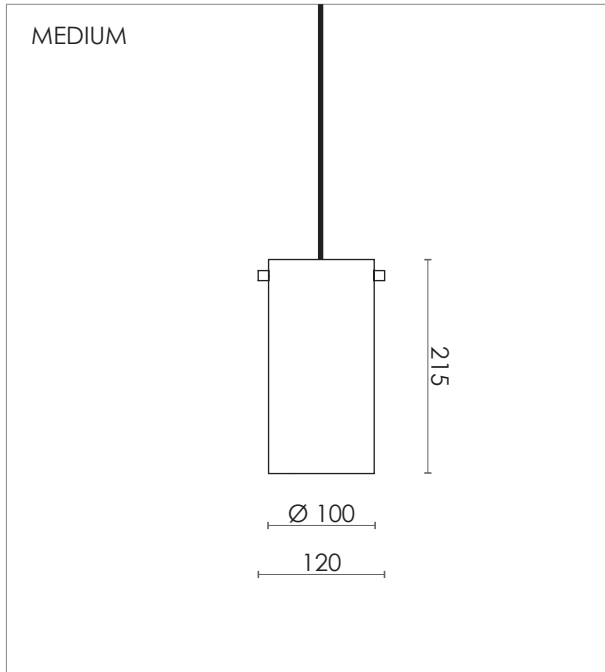


VOLUME 1 PENDANT



DESIGN SPECIFICATIONS

DIMENSIONS (mm)

MEDIUM W 120 x H 215 - SHADE Ø 100
LARGE W 170 x H 250 - SHADE Ø 150

WEIGHT (kg) 1,2 / 2,4

MATERIALS THE LAMP IS MADE FROM CLEAR LACQURED BRASS OR POWDER COATED STEEL

CORD (mm) BLACK TEXTILE - L 3900

ENVIRONMENT INDOOR

DESIGN BY NICLAS HOFLIN

DESIGN YEAR 2007

ELECTRICAL SPECIFICATIONS

SWITCH NO

BULB HOLDER E27

LIGHT SOURCE INCLUDED DIMMABLE
7 W - 2700K

DIMMABLE YES






MAX (W) 7 W LED

VOLTAGE 230 / 240

CLASS 1

IP 20

COLOURS

| | | | |
|-------------------------------------------------------------------------------------|---------------------------|---------------------------------|--------------------------------|
|  | BLACK / BRASS | MEDIUM ART.NO. 411571005 | LARGE ART.NO. 411572005 |
|  | SLATE GREY / BRASS | MEDIUM ART.NO. 411571025 | LARGE ART.NO. 411572025 |
|  | UMBRA GREY / BRASS | MEDIUM ART.NO. 411571026 | LARGE ART.NO. 411572126 |
|  | SOIL / BRASS | MEDIUM ART.NO. 411571030 | LARGE ART.NO. 411572030 |
|  | WHITE / BRASS | MEDIUM ART.NO. 411571202 | LARGE ART.NO. 411572202 |