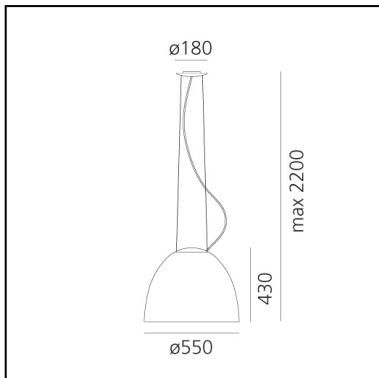


Nur Gloss LED - Suspension - White - App Compatible

Ernesto Gismondi



IP20       Dimmerable: 



LUMINAIRE

- Power Supply: **Electronic**
- Watt: **45W**
- Voltage: **220V-240V**
- Delivered lumens output: **2006lm**
- CCT: **2700K**
- Efficiency: **56%**
- Efficacy: **44.58lm/W**
- CRI: **90**
- Dimmable Typology: **Push & APP**

Notes

A new perfectly smooth and polished finish gives elegance to the classicNur model. All the versions are encased in a diffuser at the bottom.

DESCRIPTION

An extreme geometric synthesis of optics par excellence, Nur manifests its presence through a monolithic and mono-material body. The essential and geometrically calibrated lines of a perfect parabola conceal an optical heart that perfectly controls the emission, without offending direct vision. It ensures general ambient lighting thanks also to indirect emission. Artemide App Compatible.

PRODUCT CODE: A243400APP

FEATURES

- Article Code: **A243400APP**
- Colour: **White**
- Installation: **Suspension**
- Material: **Aluminum, methacrylate, glass**
- Series: **Design Collection**
- Environment: **Indoor**
- Area contract: **Hospitality, Office, Residential**
- Emission: **Direct/indirect**
- design by: **Ernesto Gismondi**

DIMENSIONS

- Height: **cm 43**
- Diameter: **cm 55**
- Max Height from ceiling: **cm 220**
- Glow Wire Test: **650°C**

SOURCES INCLUDED

- Category: **Led**
- Number: **1**
- Watt: **37W**
- Delivered lumens output: **3747lm**
- Color temperature (K): **2700K**
- CRI: **90**
- Color Tolerance: **MacAdam 2SDCM**
- Efficacy: **103lm/W**
- Service Life: **50000-L70**