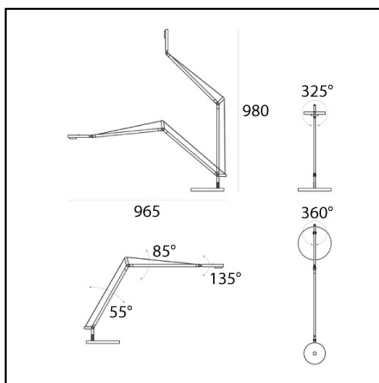


# Demetra Professional Table - Movement Detector - 3000K - Body Lamp - Anthracite Grey

Naoto Fukasawa



IP20   CE Dimmerable: 



## LUMINAIRE

- Watt: **12W**
- Delivered lumens output: **960lm**
- CCT: **3000K**
- Efficiency: **84%**
- Efficacy: **80.00lm/W**
- CRI: **90**
- Dimmer Typology: **Microswitch Dimmer**

## Notes

Microswitch dimmer.  
Code related only to the body lamp, to be completed with the base/support.

## DESCRIPTION

The Demetra family is expanded with two new versions to meet varying usage requirements: Demetra Micro and Demetra Professional. While flow emission varies in Demetra Professional, its size is identical to the classical version. It was designed to address the need for a task light with greater flows allowing to obtain high illuminance on the working top. With the advanced LED technology and the adoption of smart elementary solutions, maximum performance is ensured in a minimal product. Its look is the typical essential and linear one of Demetra, but its head is a more complex optical device, designed for more powerful LEDs also through painstaking study of thermal science. The aluminium bottom of the head's body works as a heatsink by taking shape and folding inside the head to accommodate the LED, however without contact and therefore without creating a heat bridge with the top. This allows maximum dissipation, and therefore the use of a high-power COB LED, without affecting its functionality deriving from operation and from direct user relation with the lamp. The top of its head can be safely touched without contact with high temperatures. Emission is controlled by a reflector that slightly protrudes from the head's profile and designs perfect illuminance on the top to create a work station with a high colour yield (Cri 90). The Demetra family becomes more complete to satisfy all the needs of different application fields with flexible and comprehensive solutions, as well as with specific and dedicated ones. Demetra MD: this table model features a Motion Detector option detecting moving objects and people and turning the light on or off accordingly.

**PRODUCT CODE: 1740010A**

## FEATURES

- Article Code: **1740010A**
- Colour: **Grey anthracite**
- Installation: **Table**
- Material: **aluminium, technopolymer, steel**
- Series: **Design Collection**
- Environment: **Indoor**
- Emission: **Direct**
- design by: **Naoto Fukasawa**

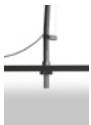
## DIMENSIONS

- Length: **cm 31**
- Width: **cm 20**
- Height: **cm 35**
- Base Diameter: **cm 20**
- Max Extension Height: **cm 102**
- Max Extension Length: **cm 100**
- Glow Wire Test: **750°**

**SOURCES INCLUDED**

- Category: **Led**
- Number: **1**
- Watt: **9.37W**
- Delivered lumens output: **1129lm**
- Color temperature (K): **3000K**
- CRI: **90**
- Color Tolerance: **MacAdam 2SDCM**
- Efficacy: **121lm/W**
- Service Life: **50000-L70**

**Accessories**



DEMETRA SUPPORTO T FISSO GRO 1743010A



DEMETRA MORSETTO GRO 1744010A



DEMETRA LED T BASE GRO 1733010A