

NODO

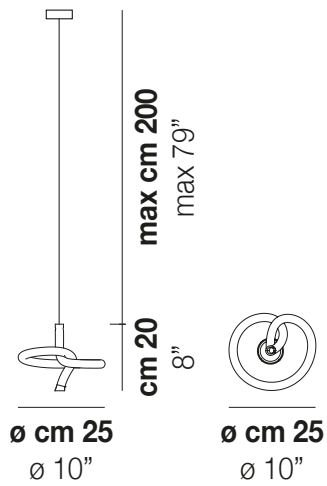
Design Pio e Tito Toso

NODO SP 25



Element freehand blown. Directional lighting downward and widespread in the ambient.

NODO SP 25



TECHNICAL DATA:



CERTIFICATIONS:



LIGHT SOURCES

1x48W 220-240 V G9
50/60 Hz

VOLUME Mc 0,04
 GROSS WEIGHT Kg 4
 NET WEIGHT Kg 2

download



SHADE FINISHING



BCLU

FRAME FINISHING



CR