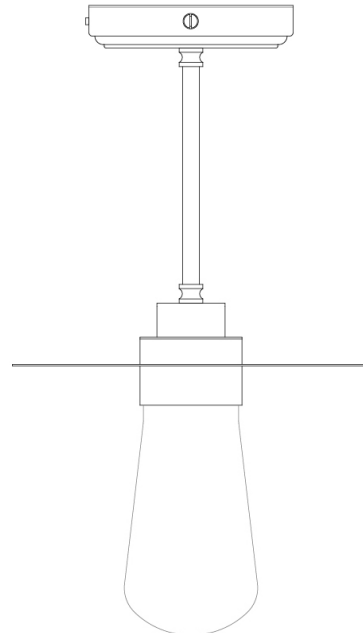


# KWAGA Bathroom Light

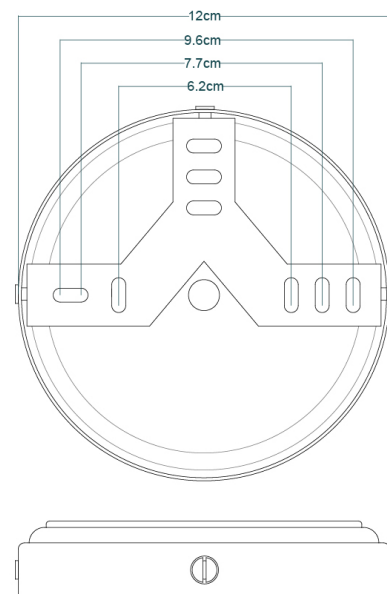
MLBWL100ANTBRS

Antique Brass



MATERIAL	Brass   Aluminium   Glass
HEIGHT	32cm   12.6"
WIDTH   DIAMETER	21cm   8.27"
LENGTH   PROJECTION	15cm   5.91"
WEIGHT	1.26kg   2.78lb
LAMPHOLDER	E27
MAX WATTAGE	6.5W
VOLTAGE	220/240v
IP RATING	IP65
CLASS PROTECTION	2
SHADE	GLWP01
FLEX   BAR   CHAIN LENGT	n/a
CABLE TYPE	

FIXING BRACKET MLWB09 | Antique Brass



[www.mullanlighting.com](http://www.mullanlighting.com)

**Product Notes:**

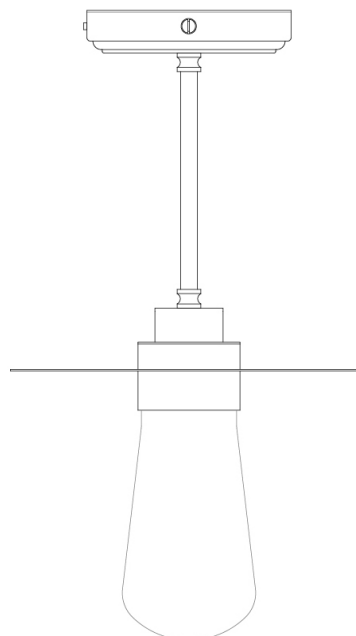
1) Lamps not included with light fixture. 2) All products are individually hand crafted, therefore may differ slightly within manufacturing tolerances. 3) Please refer to: <http://www.mullanlighting.com/terms> for full list of Terms & Conditions. 4) Cable/Chain can be shortened during installation. 5) Longer Cable/Chain available on request. 6) Additional colour finishes available on request. 7.) Dimensions do not include lamps. 8.) Products wired to UL standards will operate at 110/120v with the appropriate lampholders.



# KWAGA Bathroom Light

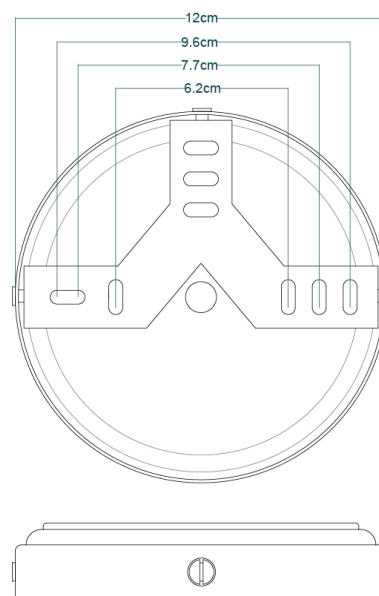
MLBWL100ANTSLV

Antique Silver



MATERIAL	Brass   Aluminium   Glass
HEIGHT	32cm   12.6"
WIDTH   DIAMETER	21cm   8.27"
LENGTH   PROJECTION	15cm   5.91"
WEIGHT	1.26kg   2.78lb
LAMPHOLDER	E27
MAX WATTAGE	6.5W
VOLTAGE	220/240v
IP RATING	IP65
CLASS PROTECTION	2
SHADE	GLWP01
FLEX   BAR   CHAIN LENGT	n/a
CABLE TYPE	

FIXING BRACKET MLWB09 | Antique Silver



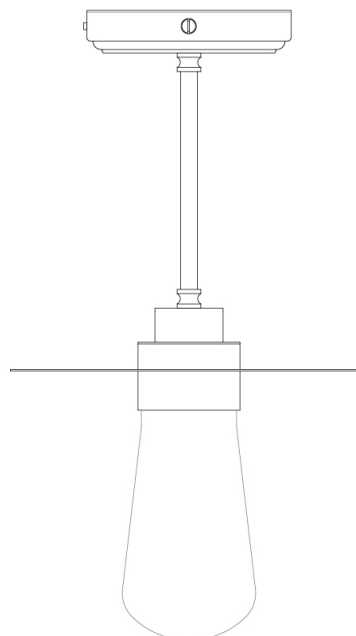
[www.mullanlighting.com](http://www.mullanlighting.com)

Product Notes:  
 1) Lamps not included with light fixture. 2) All products are individually hand crafted, therefore may differ slightly within manufacturing tolerances. 3) Please refer to: <http://www.mullanlighting.com/terms> for full list of Terms & Conditions. 4) Cable/Chain can be shortened during installation. 5) Longer Cable/Chain available on request. 6) Additional colour finishes available on request. 7.) Dimensions do not include lamps. 8.) Products wired to UL standards will operate at 110/120v with the appropriate lampholders.



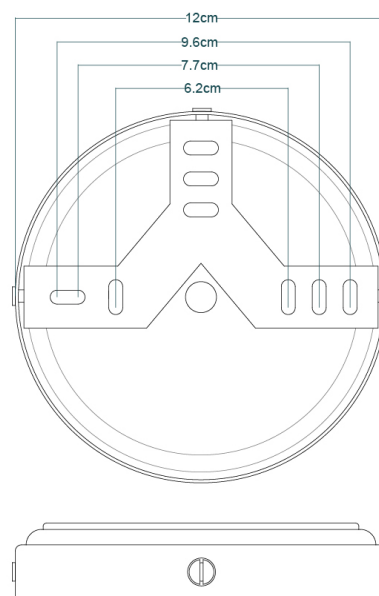
# KWAGA Bathroom Light

MLBWL100NATBRS



MATERIAL	Brass   Aluminium   Glass
HEIGHT	32cm   12.6"
WIDTH   DIAMETER	21cm   8.27"
LENGTH   PROJECTION	15cm   5.91"
WEIGHT	1.26kg   2.78lb
LAMPHOLDER	E27
MAX WATTAGE	6.5W
VOLTAGE	220/240v
IP RATING	IP65
CLASS PROTECTION	2
SHADE	GLWP01
FLEX   BAR   CHAIN LENGT	n/a
CABLE TYPE	

FIXING BRACKET MLWB09 | Natural Brass



[www.mullanlighting.com](http://www.mullanlighting.com)

Product Notes:  
 1) Lamps not included with light fixture. 2) All products are individually hand crafted, therefore may differ slightly within manufacturing tolerances. 3) Please refer to: <http://www.mullanlighting.com/terms> for full list of Terms & Conditions. 4) Cable/Chain can be shortened during installation. 5) Longer Cable/Chain available on request. 6) Additional colour finishes available on request. 7.) Dimensions do not include lamps. 8.) Products wired to UL standards will operate at 110/120v with the appropriate lampholders.

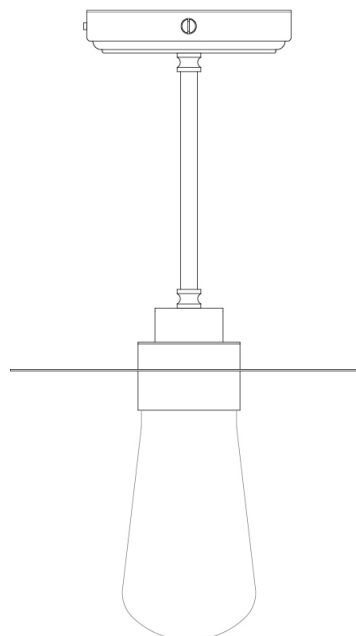




## KWAGA Bathroom Light

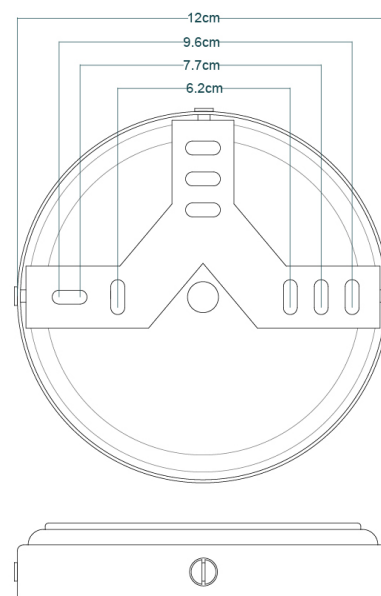
MLBWL100PCMBK

Matt Black



MATERIAL	Brass   Aluminium   Glass
HEIGHT	32cm   12.6"
WIDTH   DIAMETER	21cm   8.27"
LENGTH   PROJECTION	15cm   5.91"
WEIGHT	1.26kg   2.78lb
LAMPHOLDER	E27
MAX WATTAGE	6.5W
VOLTAGE	220/240v
IP RATING	IP65
CLASS PROTECTION	2
SHADE	GLWP01
FLEX   BAR   CHAIN LENGT	n/a
CABLE TYPE	

FIXING BRACKET MLWB09 | Matt Black



[www.mullanlighting.com](http://www.mullanlighting.com)

### Product Notes:

1) Lamps not included with light fixture. 2) All products are individually hand crafted, therefore may differ slightly within manufacturing tolerances. 3) Please refer to: <http://www.mullanlighting.com/terms> for full list of Terms & Conditions. 4) Cable/Chain can be shortened during installation. 5) Longer Cable/Chain available on request. 6) Additional colour finishes available on request. 7.) Dimensions do not include lamps. 8.) Products wired to UL standards will operate at 110/120v with the appropriate lampholders.

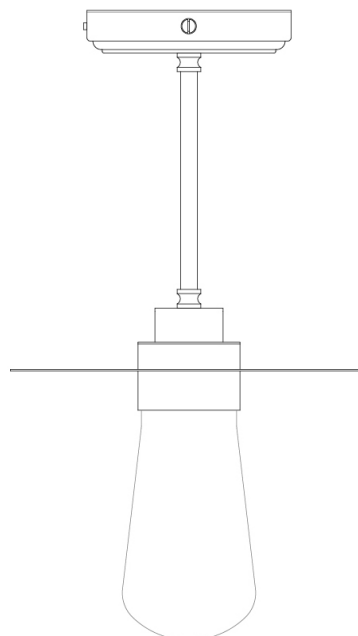




## KWAGA Bathroom Light

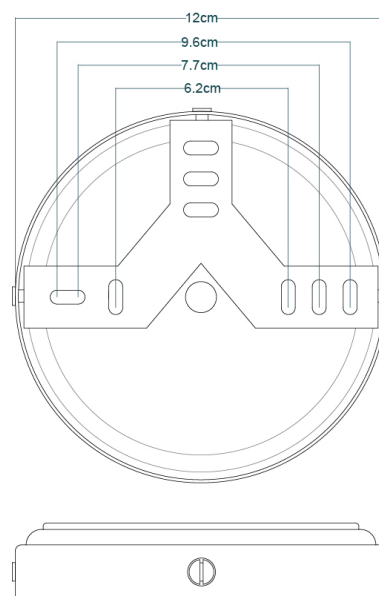
MLBWL100PCWTE

White



MATERIAL	Brass   Aluminium   Glass
HEIGHT	32cm   12.6"
WIDTH   DIAMETER	21cm   8.27"
LENGTH   PROJECTION	15cm   5.91"
WEIGHT	1.26kg   2.78lb
LAMPHOLDER	E27
MAX WATTAGE	6.5W
VOLTAGE	220/240v
IP RATING	IP65
CLASS PROTECTION	2
SHADE	GLWP01
FLEX   BAR   CHAIN LENGT	n/a
CABLE TYPE	

FIXING BRACKET MLWB09 | White



[www.mullanlighting.com](http://www.mullanlighting.com)

**Product Notes:**

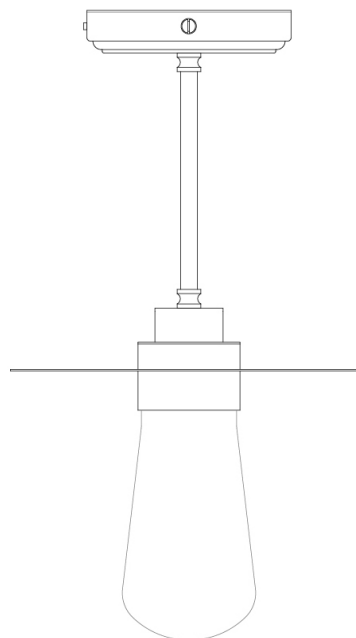
1) Lamps not included with light fixture. 2) All products are individually hand crafted, therefore may differ slightly within manufacturing tolerances. 3) Please refer to: <http://www.mullanlighting.com/terms> for full list of Terms & Conditions. 4) Cable/Chain can be shortened during installation. 5) Longer Cable/Chain available on request. 6) Additional colour finishes available on request. 7.) Dimensions do not include lamps. 8.) Products wired to UL standards will operate at 110/120v with the appropriate lampholders.



# KWAGA Bathroom Light

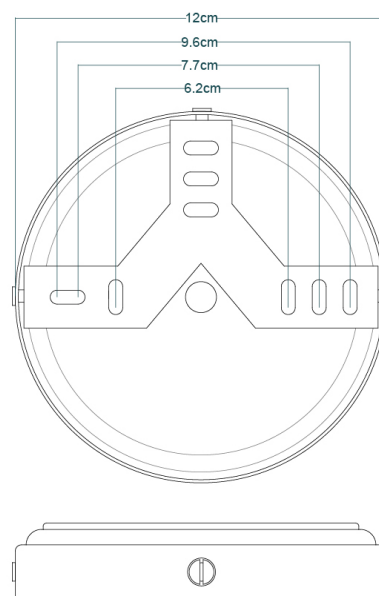
MLBWL100POLBRS

Polished Brass



MATERIAL	Brass   Aluminium   Glass
HEIGHT	32cm   12.6"
WIDTH   DIAMETER	21cm   8.27"
LENGTH   PROJECTION	15cm   5.91"
WEIGHT	1.26kg   2.78lb
LAMPHOLDER	E27
MAX WATTAGE	6.5W
VOLTAGE	220/240v
IP RATING	IP65
CLASS PROTECTION	2
SHADE	GLWP01
FLEX   BAR   CHAIN LENGT	n/a
CABLE TYPE	

FIXING BRACKET MLWB09 | Polished Brass



[www.mullanlighting.com](http://www.mullanlighting.com)

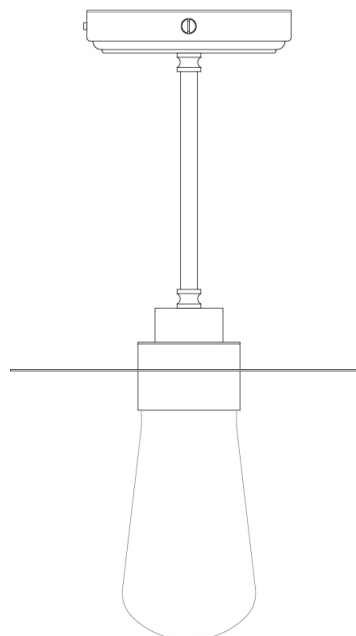
Product Notes:  
 1) Lamps not included with light fixture. 2) All products are individually hand crafted, therefore may differ slightly within manufacturing tolerances. 3) Please refer to: <http://www.mullanlighting.com/terms> for full list of Terms & Conditions. 4) Cable/Chain can be shortened during installation. 5) Longer Cable/Chain available on request. 6) Additional colour finishes available on request. 7.) Dimensions do not include lamps. 8.) Products wired to UL standards will operate at 110/120v with the appropriate lampholders.



# KWAGA Bathroom Light

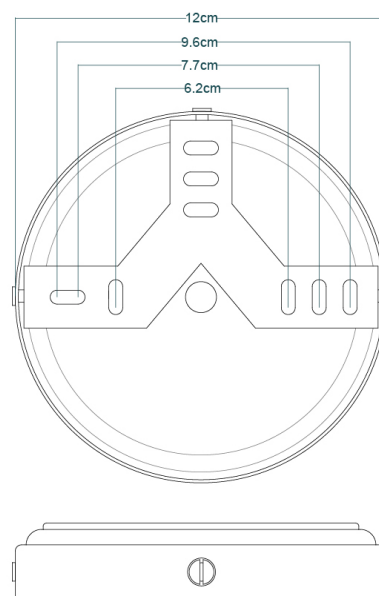
MLBWL100SATBRS

Satin Brass



MATERIAL	Brass   Aluminium   Glass
HEIGHT	32cm   12.6"
WIDTH   DIAMETER	21cm   8.27"
LENGTH   PROJECTION	15cm   5.91"
WEIGHT	1.26kg   2.78lb
LAMPHOLDER	E27
MAX WATTAGE	6.5W
VOLTAGE	220/240v
IP RATING	IP65
CLASS PROTECTION	2
SHADE	GLWP01
FLEX   BAR   CHAIN LENGT	n/a
CABLE TYPE	

FIXING BRACKET MLWB09 | Satin Brass



[www.mullanlighting.com](http://www.mullanlighting.com)

Product Notes:  
 1) Lamps not included with light fixture. 2) All products are individually hand crafted, therefore may differ slightly within manufacturing tolerances. 3) Please refer to: <http://www.mullanlighting.com/terms> for full list of Terms & Conditions. 4) Cable/Chain can be shortened during installation. 5) Longer Cable/Chain available on request. 6) Additional colour finishes available on request. 7.) Dimensions do not include lamps. 8.) Products wired to UL standards will operate at 110/120v with the appropriate lampholders.

