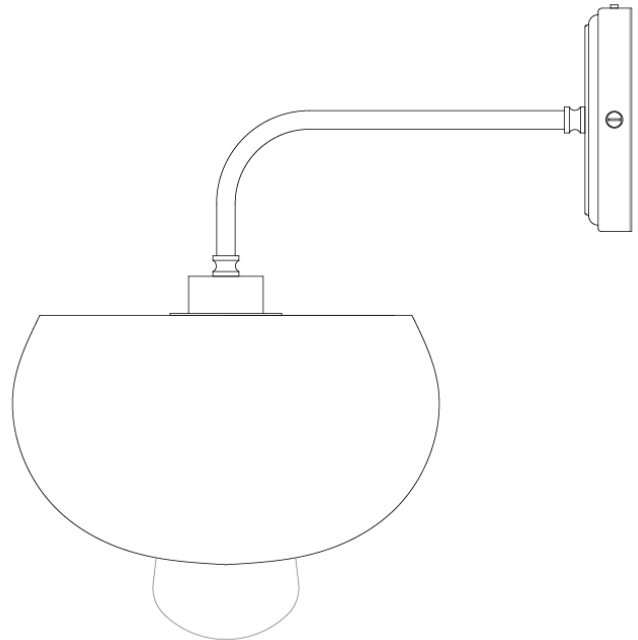


# HALI Bathroom Light

MLBWL012ANTBRS

Antique Brass



**MATERIAL** Brass | Aluminium | Glass

**HEIGHT** 31.5cm | 12.4"

**WIDTH | DIAMETER** 28cm | 11.02"

**LENGTH | PROJECTION** 29cm | 11.42"

**WEIGHT** 1.35kg | 2.98lb

**LAMPHOLDER** E27

**MAX WATTAGE** 6.5W

**VOLTAGE** 220/240v

**IP RATING** IP65

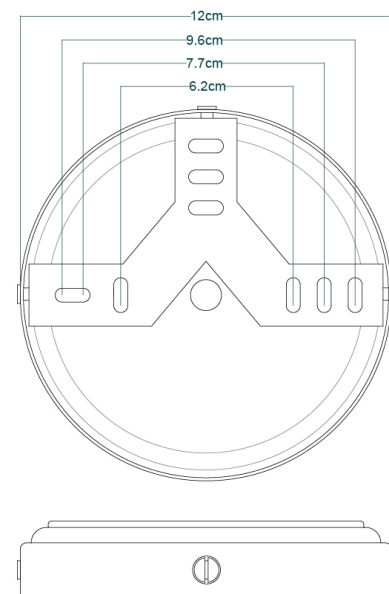
**CLASS PROTECTION** 2

**SHADE** GLWP01

**FLEX | BAR | CHAIN LENGT** n/a

**CABLE TYPE**

**FIXING BRACKET** MLWB09 | Antique Brass



[www.mullanlighting.com](http://www.mullanlighting.com)

**Product Notes:**

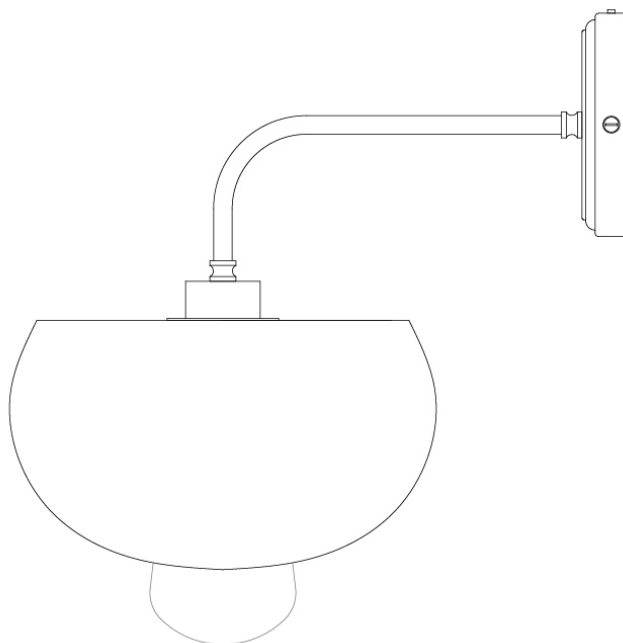
1) Lamps not included with light fixture. 2) All products are individually hand crafted, therefore may differ slightly within manufacturing tolerances. 3) Please refer to: <http://www.mullanlighting.com/terms> for full list of Terms & Conditions. 4) Cable/Chain can be shortened during installation. 5) Longer Cable/Chain available on request. 6) Additional colour finishes available on request. 7.) Dimensions do not include lamps. 8.) Products wired to UL standards will operate at 110/120v with the appropriate lampholders.



# HALI Bathroom Light

MLBWL012ANTSLV

Antique Silver



**MATERIAL** Brass | Aluminium | Glass

**HEIGHT** 31.5cm | 12.4"

**WIDTH | DIAMETER** 28cm | 11.02"

**LENGTH | PROJECTION** 29cm | 11.42"

**WEIGHT** 1.35kg | 2.98lb

**LAMPHOLDER** E27

**MAX WATTAGE** 6.5W

**VOLTAGE** 220/240v

**IP RATING** IP65

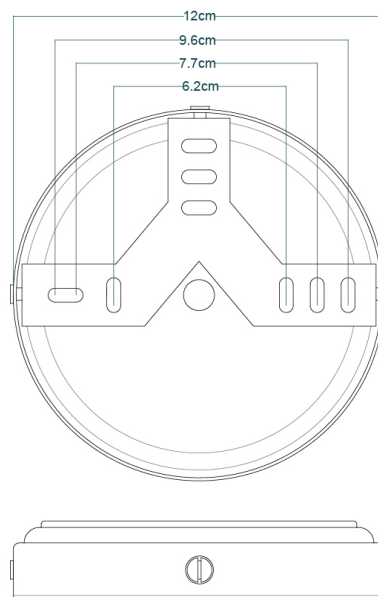
**CLASS PROTECTION** 2

**SHADE** GLWP01

**FLEX | BAR | CHAIN LENGT** n/a

**CABLE TYPE**

**FIXING BRACKET** MLWB09 | Antique Silver

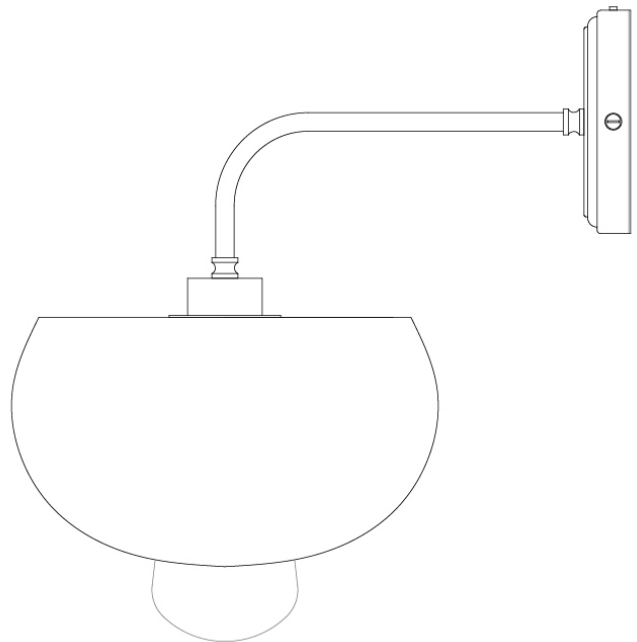


[www.mullanlighting.com](http://www.mullanlighting.com)

**Product Notes:**

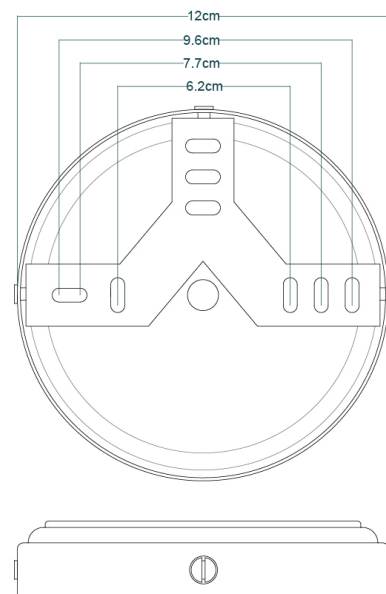
1) Lamps not included with light fixture. 2) All products are individually hand crafted, therefore may differ slightly within manufacturing tolerances. 3) Please refer to: <http://www.mullanlighting.com/terms> for full list of Terms & Conditions. 4) Cable/Chain can be shortened during installation. 5) Longer Cable/Chain available on request. 6) Additional colour finishes available on request. 7.) Dimensions do not include lamps. 8.) Products wired to UL standards will operate at 110/120v with the appropriate lampholders.





MATERIAL	Brass   Aluminium   Glass
HEIGHT	31.5cm   12.4"
WIDTH   DIAMETER	28cm   11.02"
LENGTH   PROJECTION	29cm   11.42"
WEIGHT	1.35kg   2.98lb
LAMPHOLDER	E27
MAX WATTAGE	6.5W
VOLTAGE	220/240v
IP RATING	IP65
CLASS PROTECTION	2
SHADE	GLWP01
FLEX   BAR   CHAIN LENGT	n/a
CABLE TYPE	

FIXING BRACKET MLWB09 | Natural Brass



Product Notes:

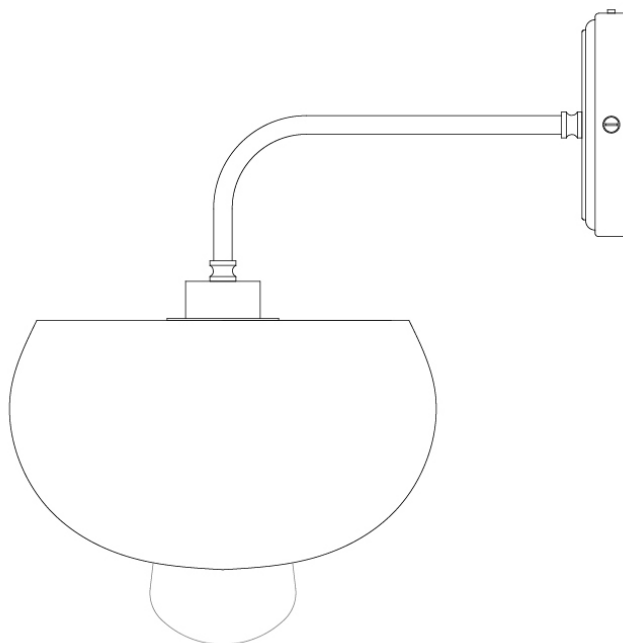
1) Lamps not included with light fixture. 2) All products are individually hand crafted, therefore may differ slightly within manufacturing tolerances. 3) Please refer to: <http://www.mullanlighting.com/terms> for full list of Terms & Conditions. 4) Cable/Chain can be shortened during installation. 5) Longer Cable/Chain available on request. 6) Additional colour finishes available on request. 7.) Dimensions do not include lamps. 8.) Products wired to UL standards will operate at 110/120v with the appropriate lampholders.



# HALI Bathroom Light

MLBWL012PCMBK

Matt Black



**MATERIAL** Brass | Aluminium | Glass

**HEIGHT** 31.5cm | 12.4"

**WIDTH | DIAMETER** 28cm | 11.02"

**LENGTH | PROJECTION** 29cm | 11.42"

**WEIGHT** 1.35kg | 2.98lb

**LAMPHOLDER** E27

**MAX WATTAGE** 6.5W

**VOLTAGE** 220/240v

**IP RATING** IP65

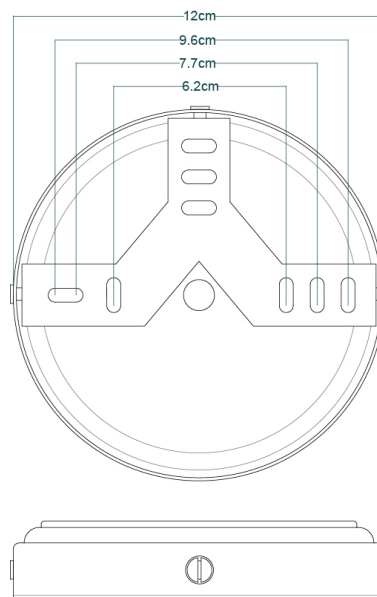
**CLASS PROTECTION** 2

**SHADE** GLWP01

**FLEX | BAR | CHAIN LENGT** n/a

**CABLE TYPE**

**FIXING BRACKET** MLWB09 | Matt Black

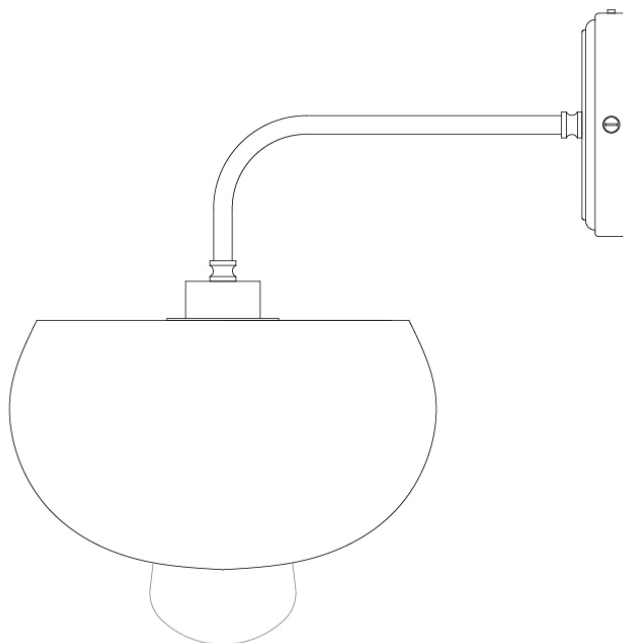


[www.mullanlighting.com](http://www.mullanlighting.com)

**Product Notes:**

1) Lamps not included with light fixture. 2) All products are individually hand crafted, therefore may differ slightly within manufacturing tolerances. 3) Please refer to: <http://www.mullanlighting.com/terms> for full list of Terms & Conditions. 4) Cable/Chain can be shortened during installation. 5) Longer Cable/Chain available on request. 6) Additional colour finishes available on request. 7.) Dimensions do not include lamps. 8.) Products wired to UL standards will operate at 110/120v with the appropriate lampholders.





MATERIAL Brass | Aluminium | Glass

FIXING BRACKET MLWB09 | White

HEIGHT 31.5cm | 12.4"

WIDTH | DIAMETER 28cm | 11.02"

LENGTH | PROJECTION 29cm | 11.42"

WEIGHT 1.35kg | 2.98lb

LAMPHOLDER E27

MAX WATTAGE 6.5W

VOLTAGE 220/240v

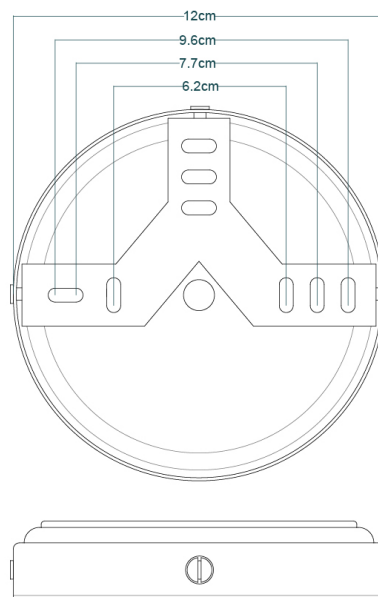
IP RATING IP65

CLASS PROTECTION 2

SHADE GLWP01

FLEX | BAR | CHAIN LENGT n/a

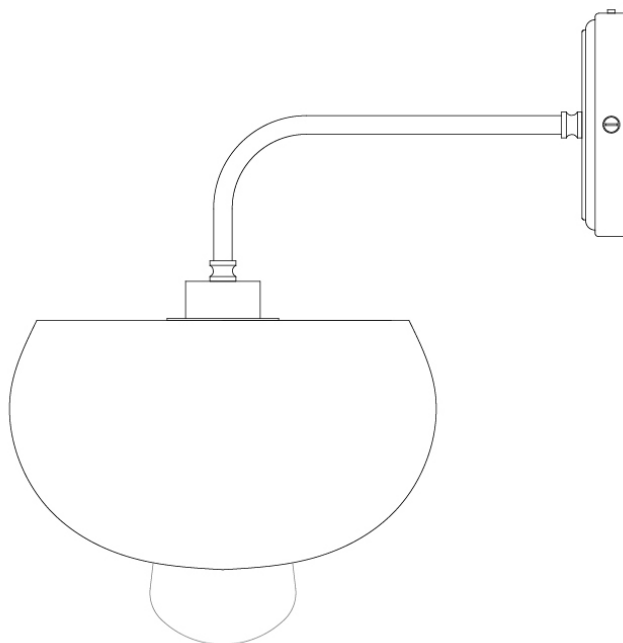
CABLE TYPE



Product Notes:

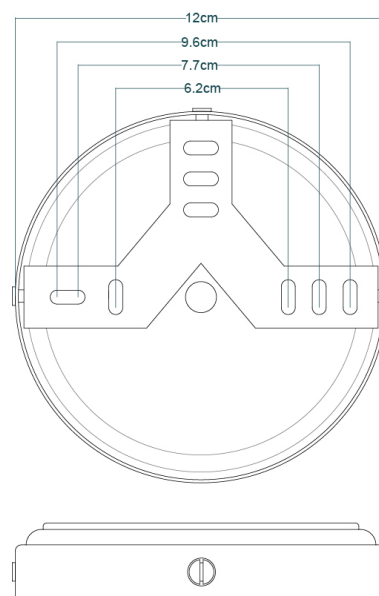
1) Lamps not included with light fixture. 2) All products are individually hand crafted, therefore may differ slightly within manufacturing tolerances. 3) Please refer to: <http://www.mullanlighting.com/terms> for full list of Terms & Conditions. 4) Cable/Chain can be shortened during installation. 5) Longer Cable/Chain available on request. 6) Additional colour finishes available on request. 7.) Dimensions do not include lamps. 8.) Products wired to UL standards will operate at 110/120v with the appropriate lampholders.





MATERIAL	Brass   Aluminium   Glass
HEIGHT	31.5cm   12.4"
WIDTH   DIAMETER	28cm   11.02"
LENGTH   PROJECTION	29cm   11.42"
WEIGHT	1.35kg   2.98lb
LAMPHOLDER	E27
MAX WATTAGE	6.5W
VOLTAGE	220/240v
IP RATING	IP65
CLASS PROTECTION	2
SHADE	GLWP01
FLEX   BAR   CHAIN LENGT	n/a
CABLE TYPE	

FIXING BRACKET MLWB09 | Polished Brass



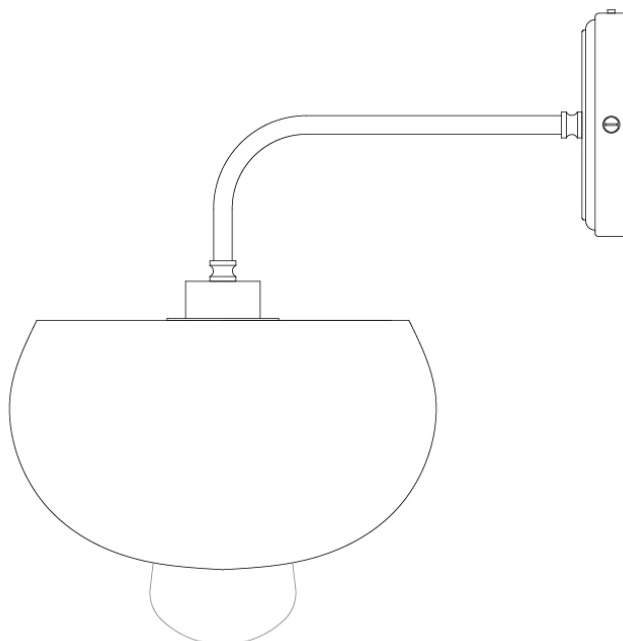
Product Notes:  
 1) Lamps not included with light fixture. 2) All products are individually hand crafted, therefore may differ slightly within manufacturing tolerances. 3) Please refer to: <http://www.mullanlighting.com/terms> for full list of Terms & Conditions. 4) Cable/Chain can be shortened during installation. 5) Longer Cable/Chain available on request. 6) Additional colour finishes available on request. 7.) Dimensions do not include lamps. 8.) Products wired to UL standards will operate at 110/120v with the appropriate lampholders.



# HALI Bathroom Light

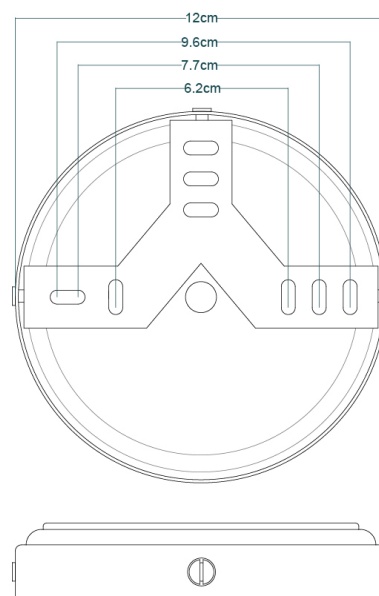
MLBWL012SATBRS

Satin Brass



MATERIAL	Brass   Aluminium   Glass
HEIGHT	31.5cm   12.4"
WIDTH   DIAMETER	28cm   11.02"
LENGTH   PROJECTION	29cm   11.42"
WEIGHT	1.35kg   2.98lb
LAMPHOLDER	E27
MAX WATTAGE	6.5W
VOLTAGE	220/240v
IP RATING	IP65
CLASS PROTECTION	2
SHADE	GLWP01
FLEX   BAR   CHAIN LENGT	n/a
CABLE TYPE	

FIXING BRACKET MLWB09 | Satin Brass



[www.mullanlighting.com](http://www.mullanlighting.com)

Product Notes:  
 1) Lamps not included with light fixture. 2) All products are individually hand crafted, therefore may differ slightly within manufacturing tolerances. 3) Please refer to: <http://www.mullanlighting.com/terms> for full list of Terms & Conditions. 4) Cable/Chain can be shortened during installation. 5) Longer Cable/Chain available on request. 6) Additional colour finishes available on request. 7.) Dimensions do not include lamps. 8.) Products wired to UL standards will operate at 110/120v with the appropriate lampholders.

