

Bugia,
design by Studio Italia Design, 2016

Ceiling

Round, compact forms featuring elegant finishes with a centre that shines like a precious stone. Once lit up, Bugia amazes with the unexpected effect of its light. A surprising and harmonious balance between direct and indirect light, diffused both downward and up toward the ceiling. A rich family of ceiling lights, in Single, Double, Triple and now also Mega versions.



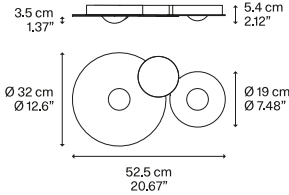
Bugia Single	Light source	Frame Metal	Diffuser: Methacrylate	Code
	LED • 3000 K • 1 x 15W 1520 lm • 220-240V • CRI 90 • MacAdam 3-Step LED and driver included	● Matte White 9010 ● Matte White 9010 ● Matte White 9010 ● Matte White 9010 ● Matte White 9010 ● Matte White 9010	● Glossy Bronze Chrome ● Gold ● White ● Polished Black 9005	161032 161031 161030 161029 161058
	LED • 2700 K • 1 x 15W 1400lm • 220-240V • CRI 90 • MacAdam 3-Step LED and driver included	● Matte White 9010 ● Matte White 9010 ● Matte White 9010 ● Matte White 9010 ● Matte White 9010 ● Matte White 9016	● Glossy Bronze Chrome ● Gold ● White ● Polished Black 9005	161028 161027 161026 161025 161057

Net weight: 0.80 kg	Gross weight: 1.52 kg	Parcels: N°2	Volume: 0.017 m³
---------------------	-----------------------	--------------	------------------

CE	EAC	IP20	Energy Saving	Dim Triac
----	-----	------	---------------	-----------

LODES

Bugia Double



Light source

- LED
- 3000 K
 - 2 x 15W | 1520 lm
 - 220-240V
 - CRI 90
 - MacAdam 3-Step

LED and driver included

- LED
- 2700 K
 - 2 x 15W | 2800 lm
 - 220-240V
 - CRI 90
 - MacAdam 3-Step

LED and driver included

Frame Metal

- Matte White 9010
- Matte White 9010
- Matte White 9010
- Matte White 9010
- Matte White 9010
- Matte White 9010
- Matte White 9010
- Matte White 9010
- Matte White 9010
- Matte White 9010
- Matte White 9010
- Matte White 9010
- Matte White 9010
- Matte White 9010

Diffuser: Methacrylate

- Glossy White
- || Chrome
- Gold
- White
- Polished Black 9005
- Glossy Bronze
- || Chrome
- Gold
- White
- Polished Black 9005

Code

- 161040
- 161039
- 161038
- 161037
- 161060
- 161036
- 161035
- 161034
- 161033
- 161059

Net weight: 2.05 kg

Gross weight: 4.91 kg

Parcels: N°2

Volume: 0.062 m³

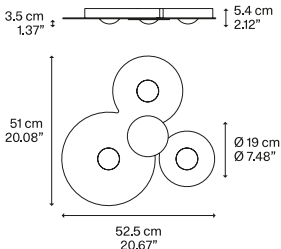


IP20

Energy Saving

Dim Triac

Bugia Triple



Light source

- LED
- 3000 K
 - 3 x 15W | 4560 lm
 - 220-240V
 - CRI 90
 - MacAdam 3-Step

LED and driver included

- LED
- 2700 K
 - 3 x 15W | 4200 lm
 - 220-240V
 - CRI 90
 - MacAdam 3-Step

LED and driver included

Frame Metal

- Matte White 9010
- Matte White 9010
- Matte White 9010
- Matte White 9010
- Matte White 9010
- Matte White 9010
- Matte White 9010
- Matte White 9010
- Matte White 9010
- Matte White 9010
- Matte White 9010
- Matte White 9010
- Matte White 9010
- Matte White 9010

Diffuser: Methacrylate

- Glossy Bronze
- || Chrome
- Gold
- White
- Polished Black 9005
- Glossy Bronze
- || Chrome
- Gold
- White
- Polished Black 9005

Code

- 161048
- 161047
- 161046
- 161045
- 161062
- 161044
- 161043
- 161042
- 161041
- 161061

Net weight: 2.80 kg

Gross weight: 5.66 kg

Parcels: N°2

Volume: 0.062 m³



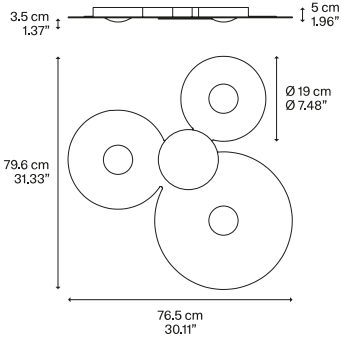
IP20

Energy Saving

Dim Triac

LODES

Bugia Mega



Light source

- LED**
- 3000 K
 - 3 × 15W | 4200 lm
 - 220-240V
 - CRI 90
 - MacAdam 3-Step

LED and driver included

- LED**
- 2700 K
 - 3 × 15W | 4560 lm
 - 220-240V
 - CRI 90
 - MacAdam 3-Step

LED and driver included

Frame Metal

- Matte White 9010
- Matte White 9010
- Matte White 9010
- Matte White 9010
- Matte White 9010
- Matte White 9010
- Matte White 9010
- Matte White 9010
- Matte White 9010
- Matte White 9010
- Matte White 9010
- Matte White 9010
- Matte White 9010
- Matte White 9010

Diffuser: Methacrylate

- Glossy Bronze
- Chrome
- Gold
- White
- Polished Black 9005
- Glossy Bronze
- Chrome
- Gold
- White
- Polished Black 9005

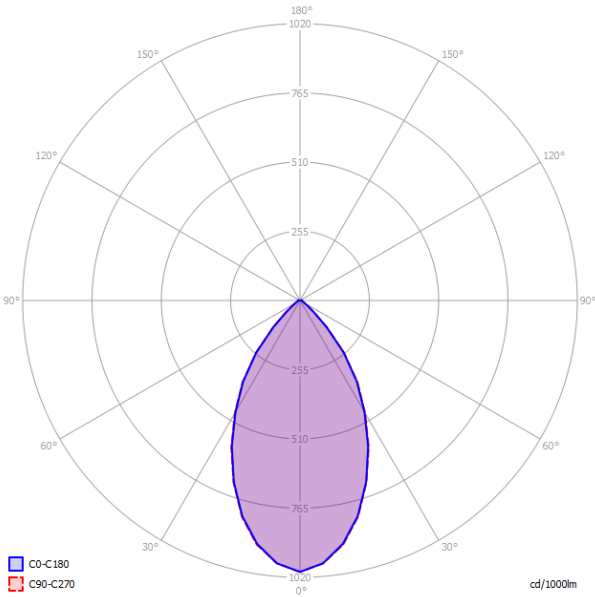
Code

- 161056
- 161055
- 161054
- 161053
- 161064
- 161052
- 161051
- 161050
- 161049
- 161063

Net weight: 4.40 kg	Gross weight: 8.80 kg	Parcels: N°2	Volume: 0.117 m³
---------------------	-----------------------	--------------	------------------

CE	EAC	IP20	Energy Saving	Dim Triac
----	-----	------	---------------	-----------

Polar diagram



Bugia Single

- LED**
- 3000 K
 - 3 × 15W | 4200 lm
 - 220-240V
 - CRI 90
 - MacAdam 3-Step

LED and driver included

- LED**
- 2700 K
 - 3 × 15W | 4560 lm
 - 220-240V
 - CRI 90
 - MacAdam 3-Step

LED and driver included

