

# Original 1227™ Brass Lamp with Wall Bracket

ANGLEPOISE®

Original 1227™ Brass Collection | Technical Sheet

Launched In 2014 | Designed by George Carwardine



31cm

## Product

Lamp with Wall Bracket - Elephant Grey  
Lamp with Wall Bracket - Jet Black

Wall mount is colour-matched.

## Description

Heritage inspired colours, twisted woven fabric cable and authentic brass details create a new aesthetic for this iconic Anglepoise® design, whilst desk, wall and pendant options introduce greater versatility. This wall lamp comes with an easy to install heavy cast iron wall bracket.

## Materials

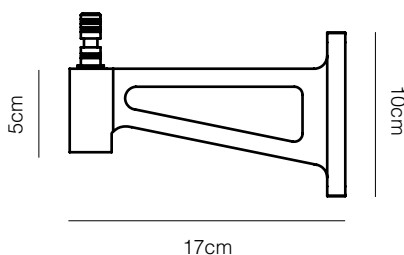
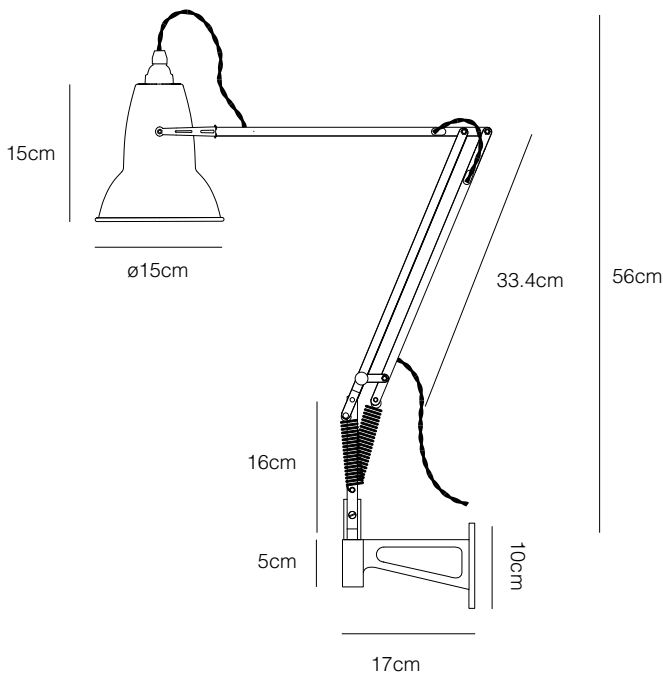
- Gloss paint finish
- Aluminium shade
- Painted aluminium arms
- Cast iron wall bracket
- Brass shade cap, bridle, spacers and fittings
- Twisted woven fabric cable
- IP20 rating
- Anglepoise® constant tension spring technology

## Dimensions

- Shade diameter: 15cm
- Shade height: 15cm
- Max reach: 60cm (from wall bracket to shade)
- Cable length: 200cm
- Lamp Packaging (L x W x H): 31.4cm x 17cm x 54.5cm
- Lamp Packaged Weight: 5.60kg

## Electrical

- Voltage: 220/240V, 50/60Hz
- Class II - Double insulated
- Note: Bulb weight critical for balance. Approximate bulb weight 25-60g
- Inline cable switch (34cm from product)
- Plug: 3-pin UK plug to BS 1363
- E27 lamp holder
- Maximum permitted bulb: 20W CFL / 10W LED E27
- Supplied with compatible 10W LED E27 bulb
  - Luminous Intensity: 806lm
  - Life: 15,000 Hours
  - Non-dimmable
  - Colour Temperature: 2700K
  - CRI (Ra): 80



Bulb  
included