

# Type 75™ Mini

## Desk Lamp with Desk Clamp

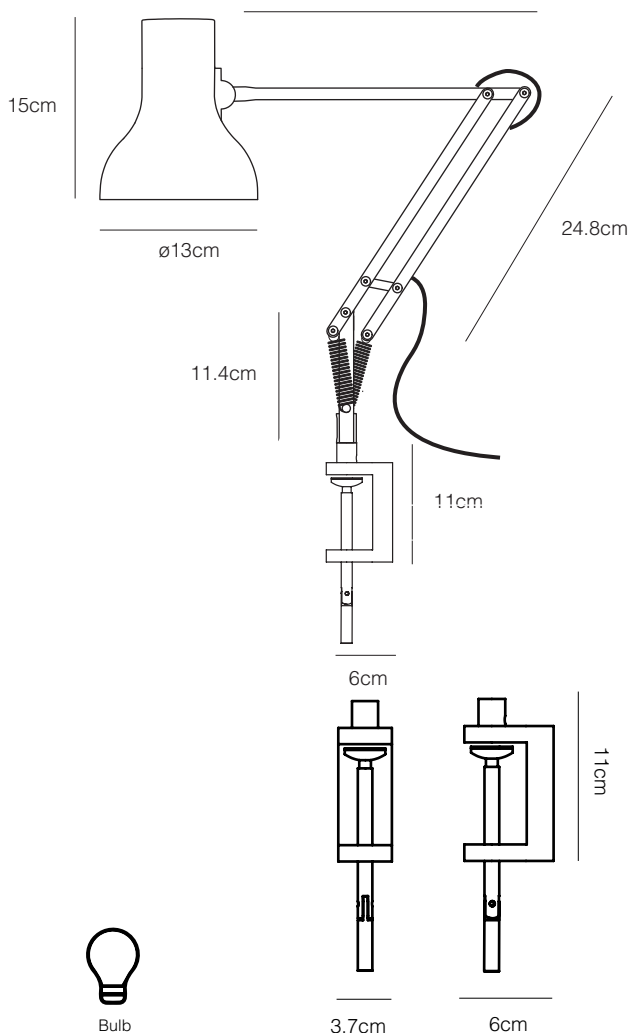
ANGLEPOISE®

Type 75™ Mini Collection | Technical Sheet

Launched In 2011 | Designed by Sir Kenneth Grange



25cm



15cm

ø13cm

11.4cm

11cm

6cm

3.7cm

11cm

6cm



Bulb included

### Product

Lamp with Clamp - Slate Grey  
Lamp with Clamp - Alpine White  
Lamp with Clamp - Jet Black

Accessories are colour-matched.  
Lamps with accessories come with a table base.

### Description

Designed to clamp to any horizontal surface of between 6 and 50mm thick, our Type Range Desk Clamp extends the functional possibilities of our best-selling Type 75™ Mini desk lamp. Now scaled down to its corresponding products, it is more compact, convenient and versatile than ever before.

### Materials

- Matt painted finish
- Aluminium shade
- Aluminium arms
- Chrome plated fittings
- Desk clamp has a painted or brushed aluminium body with plated steel fittings
- IP20 rating
- Anglepoise® constant tension spring technology

### Dimensions

- Shade diameter: 13cm
- Shade height: 15cm
- Max reach: 50cm (from base to shade)
- Cable length: 180cm
- Lamp Packaging (L x W x H): 23cm x 16.5cm x 46.5cm
- Lamp Packaged Weight: 2.79kg
- Clamp Packaging (L x W x H): 15cm x 5.5cm x 10cm
- Clamp Packaged Weight: 0.49kg

### Electrical

- Voltage 220/240V, 50/60Hz
- Class II - Double insulated
- Note: Bulb weight critical for balance. Approximate bulb weight 25-45g
- Integrated shade switch
- Plug: 3-pin UK plug to BS 1363
- E27 lamp holder
- Maximum permitted bulb: 20W CFL / 10W LED E27
- Supplied with compatible 6W LED E27 bulb
  - Luminous Intensity: 470lm
  - Life: 15,000 Hours
  - Non-dimmable
  - Colour Temperature: 2700K
  - CRI (Ra): 80