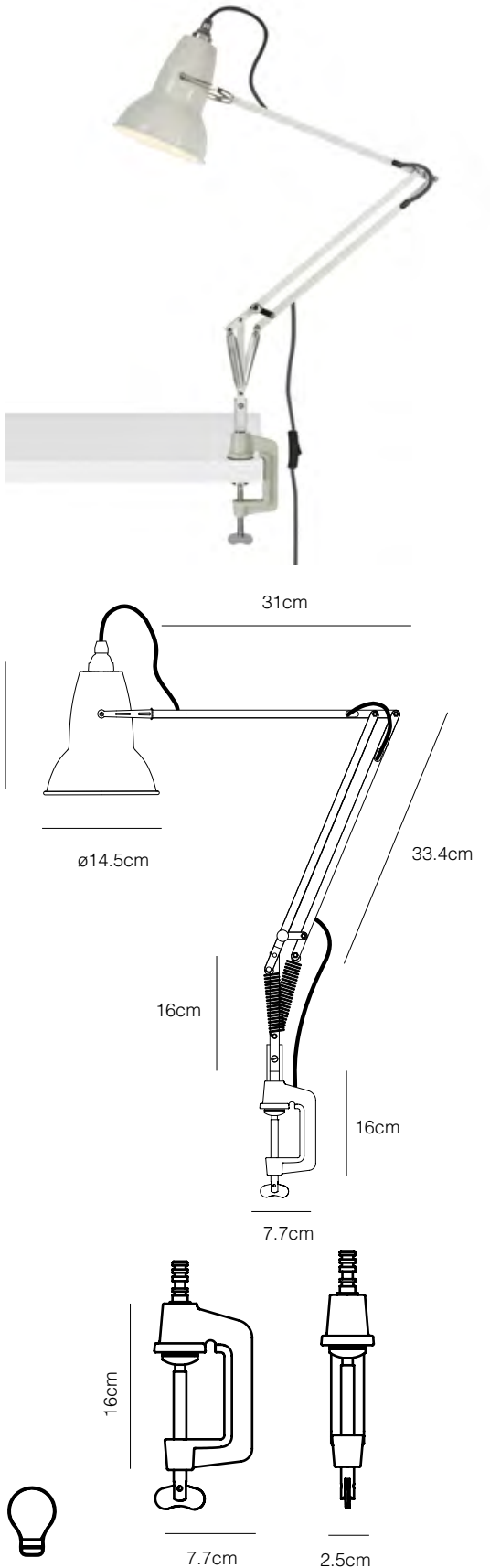


# Original 1227™ Desk Lamp with Desk Clamp

ANGLEPOISE®

Original 1227™ Collection | Technical Sheet

Launched In 1935 | Designed by George Carwardine



## Product

- Lamp with Clamp - Jet Black
- Lamp with Clamp - Linen White
- Lamp with Clamp - Dove Grey
- Lamp with Clamp - Bright Chrome

Accessories are colour-matched.  
Lamps with accessories come with a table base.

## Description

This compact, cast iron Desk Clamp has been designed to fix any light in the 1227™ and 1227™ Mini collections to a wide range of horizontal surfaces, including desks and shelves. The addition of a neat cable clamp means that you can secure the inline switch exactly where it is needed most.

## Materials

- Gloss paint or bright chrome plated finish
- Aluminium shade
- Chrome plated fittings
- Cast iron desk clamp
- Aluminium arms
- Fabric cable
- IP20 rating
- Anglepoise® constant tension spring technology

## Dimensions

- Shade diameter: 15cm
- Shade height: 15cm
- Max reach: 60cm (from base to shade)
- Cable length: 200cm
- Lamp Packaging (L x W x H): 31.4cm x 19cm x 48cm
- Lamp Packaged Weight: 4.57kg
- Clamp Packaging (L x W x H): 19cm x 10.5cm x 6cm
- Clamp Packaged Weight: 0.96kg

## Electrical

- Voltage: 220/240V, 50/60Hz
- Class II - Double insulated
- Note: Bulb weight critical for balance. Approximate bulb weight 25-60g
- Inline cable switch (34cm from product)
- Plug: 3-pin UK plug to BS 1363- E27 lamp holder
- Maximum permitted bulb: 20W CFL / 10W LED E27
- Supplied with compatible 10W LED E27 bulb
  - Luminous Intensity: 806lm
  - Life: 15,000 Hours
  - Non-dimmable
  - Colour Temperature: 2700K
  - CRI (Ra): 80