

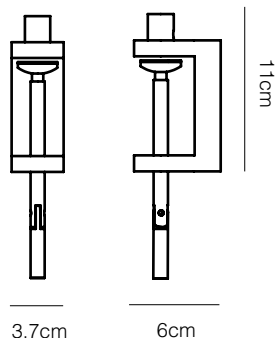
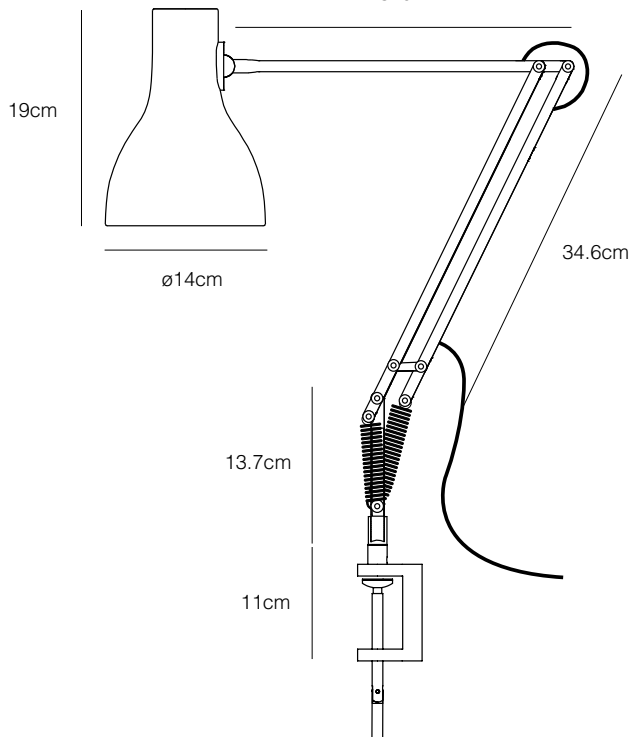
Type 75™

Desk Lamp with Desk Clamp

ANGLEPOISE®

Type 75™ Collection | Technical Sheet

Launched In 2004 | Designed by Sir Kenneth Grange



Bulb included

Product

Lamp with Clamp - Jet Black
 Lamp with Clamp - Alpine White
 Lamp with Clamp - Silver Lustre

Accessories are colour-matched.
 Lamps with accessories come with a table base.

Description

Designed to clamp to any horizontal surface of between 6 and 50mm thick, our Type Range Desk Clamp extends the functional possibilities of our best-selling Type 75™ desk lamp. Now scaled down to its corresponding products, it is more compact, convenient and versatile than ever before.

Materials

- Matt paint or brushed aluminium finish
- Aluminium shade
- Aluminium arms
- Chrome plated fittings
- IP20 rating
- Anglepoise® constant tension spring technology

Dimensions

- Shade diameter: 14cm
- Shade height: 19cm
- Max reach: 66cm (from base to shade)
- Cable length: 270cm
- Lamp Packaging (L x W x H): 31cm x 17cm x 44cm
- Lamp Packaged Weight: 3.65kg
- Clamp Packaging (L x W x H): 15cm x 5.5cm x 10cm
- Clamp Packaged Weight: 0.49kg

Electrical

- Voltage 220/240V, 50/60Hz
- Class II - Double insulated
- Note: Bulb weight critical for balance. Approximate bulb weight 25-60g
- Integrated shade switch
- Plug: 3-pin UK plug to BS 1363
- E27 lamp holder
- Maximum permitted bulb: 20W CFL / 10W LED E27
- Supplied with compatible 6W LED E27 bulb
 - Luminous Intensity: 470lm
 - Life: 15,000 Hours
 - Non-dimmable
 - Colour Temperature: 2700K
 - CRI (Ra): 80