

Original 1227™ Desk Lamp

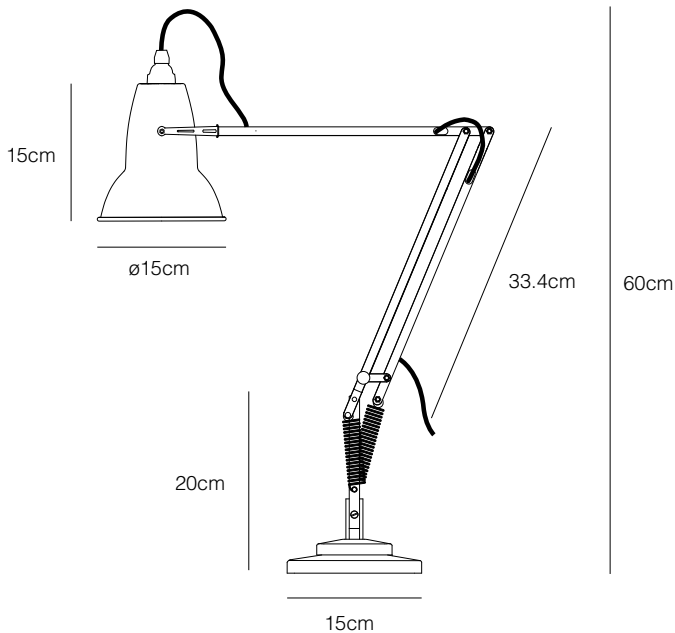
ANGLEPOISE®

Original 1227™ Collection | Technical Sheet

Launched In 1935 | Designed by George Carwardine



31cm



Product

Desk Lamp - Jet Black
Desk Lamp - Linen White
Desk Lamp - Dove Grey
Desk Lamp - Bright Chrome
Lamp with Clamp - Jet Black
Lamp with Clamp - Linen White
Lamp with Clamp - Dove Grey
Lamp with Clamp - Bright Chrome
Lamp with Wall Bracket - Jet Black
Lamp with Wall Bracket - Linen White
Lamp with Wall Bracket - Dove Grey
Lamp with Wall Bracket - Bright Chrome
Lamp with Insert - Jet Black
Lamp with Insert - Linen White
Lamp with Insert - Dove Grey
Lamp with Insert - Bright Chrome

Accessories are colour-matched.
Lamps with accessories come with a table base.

Description

Launched in 1935 and generally considered the archetypal Anglepoise®, the Original 1227™ pioneered our unique constant tension spring technology to deliver ultimate flexibility and perfect balance. Today this timeless, classic enjoys iconic design status.

Materials

- Gloss paint or bright chrome plated finish
- Aluminium shade and arms with chrome plated fittings
- Cast iron base with steel cover
- Fabric cable
- IP20 rating
- Anglepoise® constant tension spring technology

Dimensions

- Shade diameter: 15cm
- Shade height: 15cm
- Max reach: 60cm (from base to shade)
- Base size: 15 x 15cm
- Cable length: 200cm
- Lamp Packaging (L x W x H): 31.4cm x 19cm x 48cm
- Lamp Packaged Weight: 4.57kg

Electrical

- Voltage 220/240V, 50/60Hz
- Class II - Double insulated
- Note: Bulb weight critical for balance. Approximate bulb weight 25-60g
- Inline cable switch (34cm from product)
- Plug: 3-pin UK plug to BS 1363
- E27 lamp holder
- Maximum permitted bulb: 20W CFL / 10W LED E27
- Supplied with compatible 10W LED E27 bulb
 - Luminous Intensity: 806lm
 - Life: 15,000 Hours
 - Non-dimmable
 - Colour Temperature: 2700K
 - CRI (Ra): 80



Bulb
included



Accessories
available

Original Range Accessories

ANGLEPOISE®

Original Range Accessories | Technical Sheet

Designed by George Carwardine



Product

- Desk Clamp - Jet Black
- Desk Clamp - Linen White
- Desk Clamp - Dove Grey
- Desk Clamp - Painted Silver
- Desk Insert - Jet Black
- Desk Insert - Linen White
- Desk Insert - Dove Grey
- Desk Insert - Painted Silver
- Wall Bracket - Jet Black
- Wall Bracket - Linen White
- Wall Bracket - Dove Grey
- Wall Bracket - Painted Silver
- Floor Pole - Jet Black
- Floor Pole - Linen White
- Floor Pole - Dove Grey

Description

Our Original Range Accessories have been designed with flexibility in mind. Now colour-matched, each piece is also available as a separate purchase allowing both commercial and domestic customers to use the 1227™ and 1227™ Mini collections in multiple applications for the first time.

Materials & Weight

- Desk Clamp
 - Cast iron body
 - Plated steel fittings
 - Packaging (L x W x H): 19cm x 10.5cm x 6cm
 - Packaged Weight: 0.51kg
- Desk Insert
 - Cast iron body
 - Plated steel fittings
 - Packaging (L x W x H): 11.5cm x 8cm x 11.5cm
 - Packaged Weight: 0.14kg
- Wall Bracket
 - Cast iron body
 - Plated steel fittings
 - Packaging (L x W x H): 19cm x 10.5cm x 6cm
 - Packaged Weight: 0.96kg
- Floor Pole
 - Painted or chrome plated steel pole
 - Cast iron base with steel cover
 - Packaging (L x W x H): 51cm x 34cm x 13.5cm
 - Packaged Weight: 3kg

