

## Fiamma Wall - Grey



IP20  Dimmerable: 

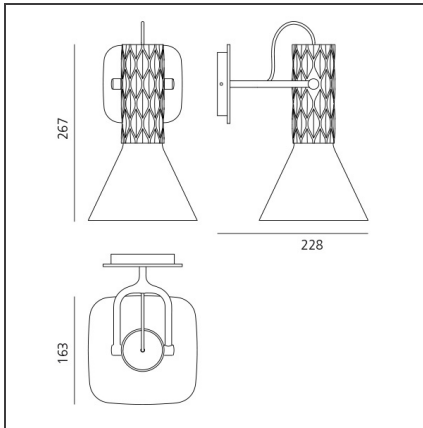
### DESIGN BY

Wilmotte & Industries

### DESCRIPTION

“Modular and adjustable, Fiamma works with a LED source base and a set of accessories to meet the different needs of lighting in hotels: bedside lamp, floor lamp, wall lamp, suspension light. The look is willing to be « domestic », to feel like being at home, in order to reinforce the cosines of the object.” Fiamma is a systemic lighting element designed to respond to the needs of the contract sector, yet well suited also for everyday living environments. An anodized aluminium cylinder with a specific texture – a perfect combination of look and functionality – is the true luminous engine of the system. The light emitted by the LED source is cleverly controlled by a transparent diffuser, designed with an anti-reflex texture, to ensure visual comfort in all usage conditions. Different supports can be assembled on it, all made of carefully processed aluminium, to obtain a variety of versions – suspension, ceiling, reading, table.

### TECHNICAL DRAWINGS



### FEATURES

<b>Article Code:</b>	- - -	<b>Material:</b>	Polycarbonate, aluminum, steel
<b>Colour:</b>	Red	<b>Series:</b>	Scenarios
<b>Installation:</b>	Wall		

### DIMENSIONS

<b>Width:</b>	cm 22.8	<b>Cutout shape:</b>	Squared
<b>Height:</b>	cm 26.7		

### SOURCES NOT INCLUDED

<b>Category:</b>	LED	<b>Voltage:</b>	230V
<b>Number:</b>	1		
<b>Watt:</b>	8W		
<b>Type:</b>	2		
<b>Socket:</b>	GU10		
<b>Class:</b>	A		

### LUMINAIRE

<b>Watt:</b>	8W	<b>Delivered lumens output (lm):</b>	390lm
		<b>Efficiency:</b>	95%