

Float Circolare Suspension



IP20     

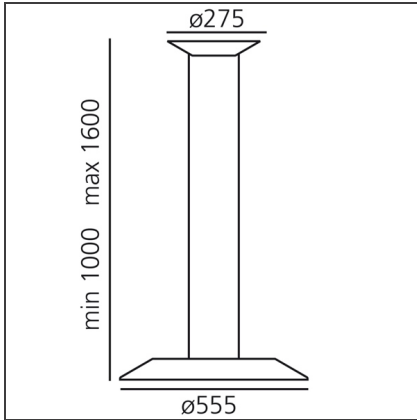
DESIGN BY

James Irvine

DESCRIPTION

Base and body in painted aluminium; opaline methacrylate lower diffuser and upper diffuser from transparent polycarbonate. The suspension version is provided with four suspension cables which are both electrical and mechanical support cables.

TECHNICAL DRAWINGS



FEATURES

Article Code:	- - -	Material:	Aluminium, methacrylate, polycarbonate
Colour:	White	Series:	Scenarios
Installation:	Suspension, Ceiling	Area contract:	Hospitality, Office
Environment:	Indoor	Emission:	Direct/indirect

DIMENSIONS

Height:	cm 100	Glow Wire Test:	650°C
Base Diameter:	cm 27.5		
Max Height from ceiling:	cm 160		

INCLUDED SOURCES

Category:	FLUO	Color Rendering:	1b
Number:	1	Color temperature (K):	3000K
Watt:	55W		
Lbs:	T16-Round		
Socket:	2GX13		

LUMINAIRE

Power Supply:	Electronic Integrated	Delivered lumens output (lm):	4200lm
Watt:	55W	CCT:	3000K
Voltage:	220V-240V		

Notes

Lamp included - 3000°K. Available in circular or linear versions. Application of a coloured filter, blue or topaz, to the indirect light emission (Float circolare and Float lineare monotubo only).

ACCESSORIES



FLOAT CIRCOLARE
FILTRO TOP
0369040A



FLOAT CIRCOLARE
FILTRO BLU
0369030A