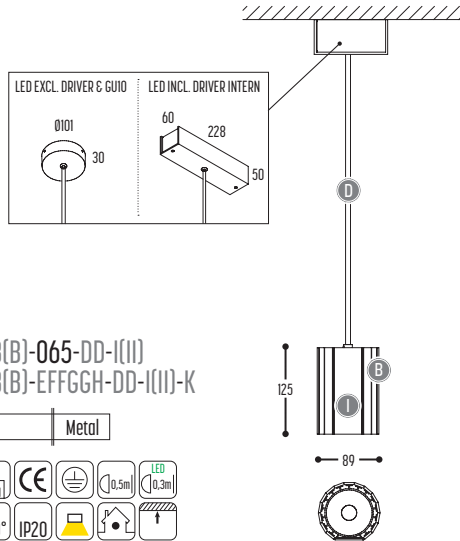




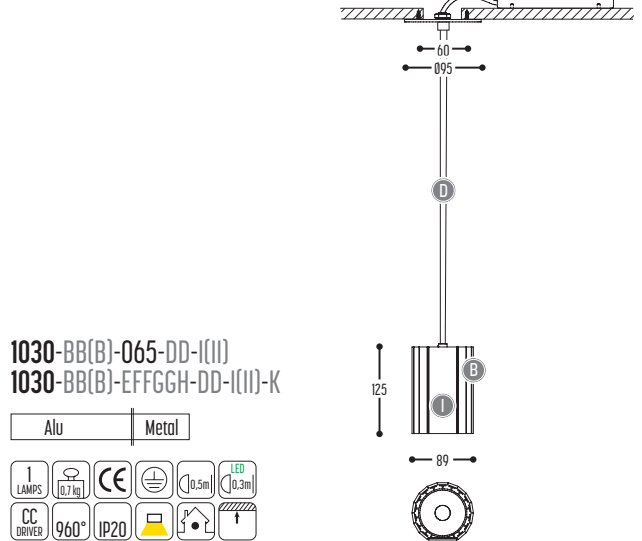
# COOLCAT

design luc vincent & mathilde roman for dark

## COOLCAT S



## COOLCAT S2



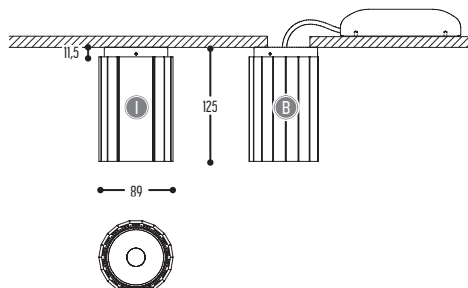
BB		CCC				DD		I(II)	
COLORS		TYPE				SUSP. CABLE		COLOR INSERT	
02	Black	230 V	065	GU10	QPAR51 (MAX 50 W)	01	1,5 m	B	Black
03	White					02	2,5 m	W	White
					LED (MAX 7,5 W)			30	Chrome
								100	Chocolat
								101	Soft Pink
								102	Soft Yellow
								103	Soft Blue
								104	Soft Green
								105	Cream
								106	Blue
								107	Yellow
								108	Green
								109	Red
								110	Brass
		EFF		GG	H				
		CRI • LUMEN OUTPUT		REFLECTOR	COLOR TEMP.				
		LED	817	>80 CRI • 1500 Lm / 500 mA / 10,6 W	20	20°	2	2700 K	
			910	>95 CRI • 1300 Lm / 700 mA / 13,3 W	40	40°	3	3000 K	
					60	60°	4	4000 K	
									K
									DRIVER EXTERN
								0	incl./non dim
								1	excl.
								2	Dim 1-10 V
								3	Dali

## COOLCAT



1032-BB-065-00-I(II)  
1032-BB-EFFGGH-00-I(II)-K

Alu | Metal

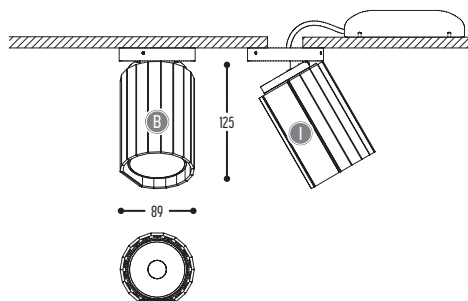


## COOLCAT MOVE

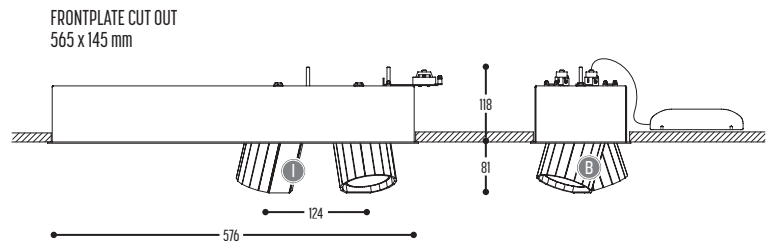


1033-BB-065-00-I(II)  
1033-BB-EFFGGH-00-I(II)-K

Alu | Metal



**COOLCAT SET2**



1034-BB-065-00-I(II)  
1034-BB-EFFGGH-00-I(II)-K

Alu | Metal



BB		CCC						I(II)		
COLORS		TYPE						COLOR INSERT		
02	Black	230V	065	GU10	QPAR51 (MAX 50 W)	LED (MAX 7,5 W)	B	Black	K	
03	White						W	White		
							30	Chrome		
							100	Chocolat		
							101	Soft Pink		
							102	Soft Yellow		
							103	Soft Blue		
							104	Soft Green		
							105	Cream		
							106	Blue		
							107	Yellow		
							108	Green		
							109	Red		
							110	Brass		
		EFF			GG	H			DRIVER EXTERN	
		CRI • LUMENOUTPUT			REFLECTOR	COLOR TEMP.				
LED	817	>80 CRI • 1500 Lm / 500 mA / 10,6 W			20	20°	2	2700 K	0	incl./non dim
	910	>95 CRI • 1300 Lm / 700 mA / 13,3 W			40	40°	3	3000 K	1	excl.
					60	60°	4	4000 K	2	Dim 1-10 V
									3	Dali