



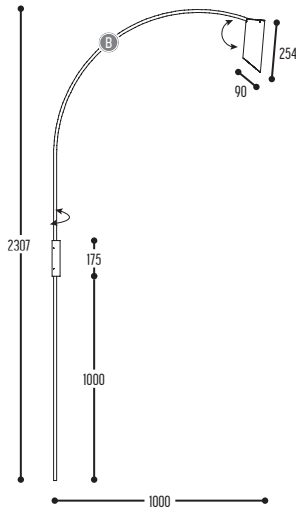
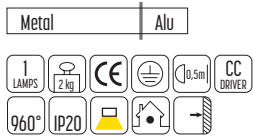
WALLSTER

design anthony boelaert for daek



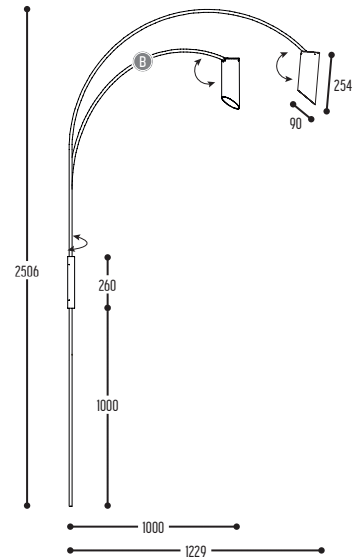
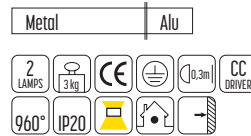
WALLSTER ONE

1116-BB-065-00
1116-BB-81500H-K



WALLSTER TWO

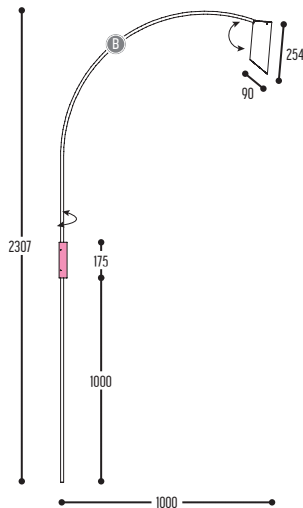
1115-BB-065-00
1115-BB-81500H-K



BB		CCC							
COLORS		TYPE							
02	Black	230 V	065	GU10	QPAS1 (MAX 50 W)				
03	White				LED (MAX 7,5 W)				
		EFF		GG	H	K			
		CRI • LUMENOUTPUT		REFLECTOR	COLOR TEMP.	DRIVER			
LED	815	>85 CRI • 1500 Lm / 500 mA / 13,6 W		00	N.A.	2	2700 K	0	incl./non dim
						3	3000 K	2	Dim 1-10 V
						4	4000 K	3	Dali



**WALLSTER
 PLUS ONE**

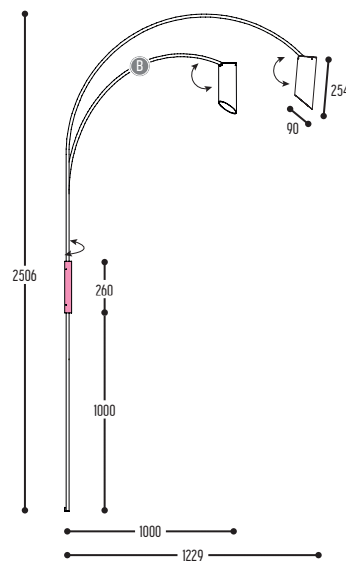


1118-BB-065-00-MMM
 1118-BB-81500H-K-MMM-Q

Material selection: Metal | Alu

Icons: 1 LAMPS, 2 kg, CE, ENEC, 0.5m, CC DRIVER, 960°, IP20, Home, Arrow

**WALLSTER
 PLUS TWO**



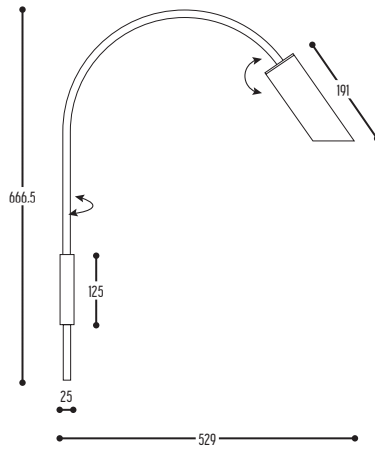
1117-BB-065-00-MMM
 1117-BB-81500H-K-MMM-Q

Material selection: Metal | Alu

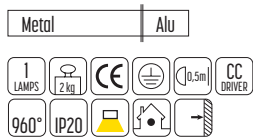
Icons: 2 LAMPS, 3 kg, CE, ENEC, 0.3m, CC DRIVER, 960°, IP20, Home, Arrow

BB		CCC			MMM		Q		
COLORS		TYPE1			TYPE2		DRIVER		
02	Black	230 V	065	GU10	QPAR51 (MAX 50 W)	230 V	071	G9	2x TC-TSE (MAX 9 W)
03	White								
		EFF		H	K	MMM		Q	
		CRI • LUMENOUTPUT		COLOR TEMP.	DRIVER	TYPE2		DRIVER	
LED	815	>85 CRI • 1500 Lm / 500 mA / 13,6 W		2 : 2700 K 3 : 3000 K 4 : 4000 K	0 : incl./non dim 2 : Dim 1-10 V 3 : Dali	LED	803	>80 CRI • 2x 350 Lm / 350 mA / 6,4 W	
								0	incl./non dim
								1	excl.

WALLSTER JR.

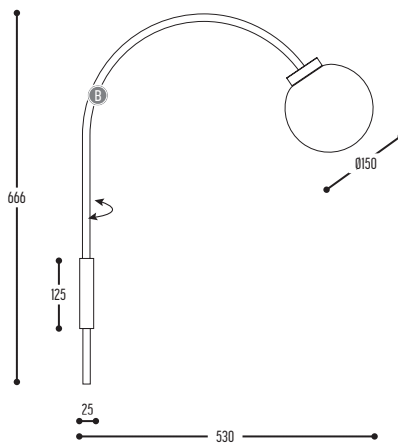


1120-BB-90600H-K



BB		EFF		GG	H		K		
COLORS		CRI • LUMENOUTPUT		REFLECTOR		COLOR TEMP.		DRIVER	
02	Black	LED	906	00	N.A.	2	2700 K	0	incl./non dim
03	White					3	3000 K	1	excl.
						4	4000 K	2	Dim 1-10 V (extern)
								3	Dali (extern)

WALLSTER JR. - B



1121-BB-90600H-K

Glass | Metal | Alu



BB	EFF		GG	H		K		
COLORS	CRI • LUMENOUTPUT		REFLECTOR		COLOR TEMP.		DRIVER	
02 Black	LED	906 >90CRI • 600 Lm / 350 mA / 6,4 W	00	N.A.	2	2700 K	0	incl./non dim
03 White					3	3000 K	1	excl.
			4	4000 K	2	Dim 1-10 V (extern)		
						3	Dali (extern)	