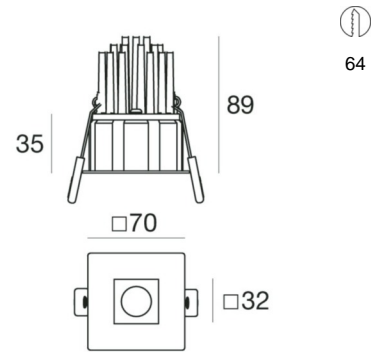
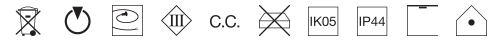




Downlights | 1 x powerLED 8 W 630 mA | CRI 80
95561M30






Technical data	
Installation position	Ceiling
Installation environment	Indoor
Light Source	LED
Optics	Medium Flood
Power	8 W
Luminous flux (source)	610 lm
Current intensity	630mA
CCT / Tonalità	2700 K
Colour rendering index	80 Ra
C.C. / C.V.	CC
Energy class	A
Safety class	3
IP	IP44
IK	IK05
Glow wire test	850°
Direct mounting on normally flammable surfaces	Yes
CE	Yes
ETL	No
Fire Rated (BS 476 PT21 compliant)	Yes
Operating temperature	-20°C / +50°C
Driver included	No
Induction	No
Emergency mode	No
Directional	No
Tilting	No
Walk-over	No
Drive-over	No
Cable included	Yes
Cable length	0.17 m
Resin potting	No
Type of light emission	Single emission
Net weight	0.270 Kg

Finishing casing

Material	steel
Colour	black RAL 9005
Processing	Coating

Electronics

	99129 On/Off Driver 180-300V AC
	99115 1-10V N/O button Multi Power 190-250V AC / 180-275V DC
	99114 DALI Push and Simply Dim Multi Power 190-250V AC / 180-275V DC

Downlights | 1 x powerLED 8 W 630 mA | CRI 80 95561M30

Single emission downlights for indoor application. The super warm LED light source with a medium flood light distribution is composed of 1 powerLEDs with CCT of 2700 K and a CRI 80; the source luminous flux is 610 lm, with a 76.3 lm/W nominal luminous efficacy.

The device body is made of steel and features a black ral 9005 finish, processed by means of coating. The ingress protection degree is IP44; the total weight is of 0.270 kg. The power supply driver is not provided and is to be ordered separately.

The total absorbed power is 8 W. The power supply cable is included and features.

The device features protection class III and can be ceiling-mounted, with a 64 mm diameter hole (in plasterboard).

Illuminotechnical Features

Light Output Ratio (LOR)	82 %
Luminous flux (source)	610 lm
Luminaire luminous flux	501 lm
Consumption	7.5 W
Luminaire efficacy	68 lm/W
Colour temperature	2700 K
Standard Deviation of Colour Matching	2 Step MacAdam
Colour rendering index	80 Ra

Life / Failure Ratio

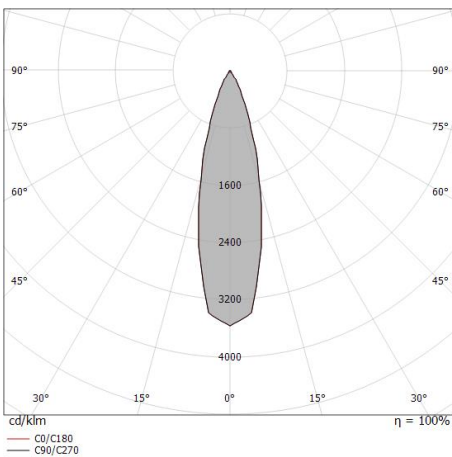
L70 B10 C0 202460h (at Tj 60 °C Ta 25 °C)

UGR

X=4H Y=8H	S=0.25H
Reflection factor	70/50/20
UGR transversal	< 19
UGR axial	< 19

OPTICAL

Light distribution simmetry	Symmetrical
Optica C0/C180	28°



Distance [m]	Cone diameter [m]	E(0°) E(C0)	13.8°	7153 3299
0.5	0.25	E(0°) E(C0)	13.8°	7153 3299
1.0	0.49	E(0°) E(C0)	13.8°	1788 825
1.5	0.74	E(0°) E(C0)	13.8°	795 367
2.0	0.98	E(0°) E(C0)	13.8°	447 206
2.5	1.23	E(0°) E(C0)	13.8°	286 132
3.0	1.47	E(0°) E(C0)	13.8°	199 92

Distance [m] Cone diameter [m] Illuminance [lx]
— C0/C180 (Half-peak divergence: 27.6°)