

# VOLTA

A-3530 / A-3531  
wall lamp

Date	Type
Project	
Location	
Model #	Quantity
Specifier	

## Description

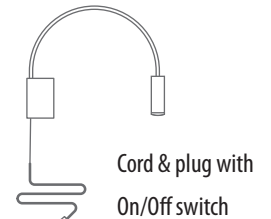
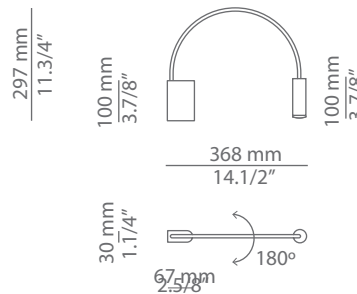
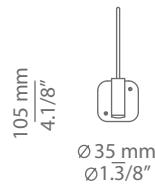
Metallic wall lamp with a curved arm, cylindrical aluminium head and (PMMA) lens diffuser.  
50° angle acrylic optic lens conversion kit is optional.



Pictures above might not show the specified dimensions or material. They are for illustration purposes only.

## Ordering information

Product Code	Lamp	Finish body	Finish head	Accessories
A-3530-W	LED 6.1W (2700K / Ang 120° / >80 CRI / 350mA) 120V (included) / Typ* 665 lumens Non Dimmable (dimmable upon request)	26 BLK Black CUSTOM	26 BLK Black 61 S GLD Satin Gold CUSTOM	50° angle acrylic optic lens conversion kit E67353001 Cord & Plug with On/Off switch



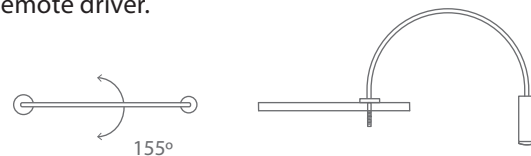
## SPECIAL REQUIREMENTS

### Custom finishes and versions

We offer custom plated or RAL finishes.  
Alternate lamping and sizes available for projects.  
Consult our offices.

### Custom bolted down wall lamp

Can be bolted down to tables, headboards and other.  
Remote driver.



## Special instructions

---



---



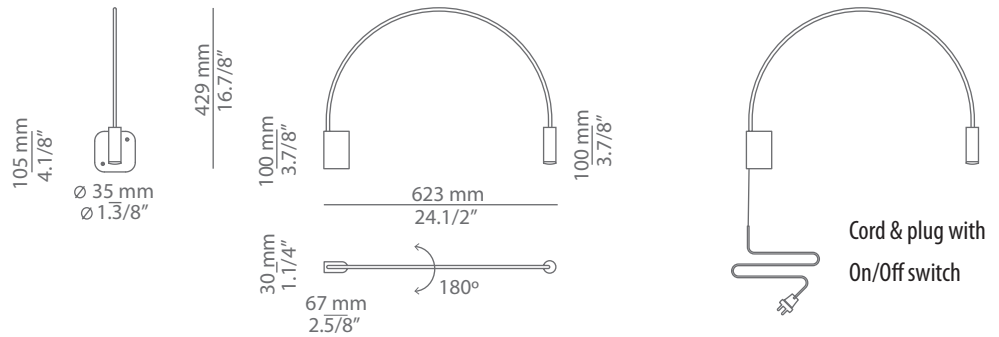
---

# VOLTA

A-3530 / A-3531  
wall lamp

Date	Type
Project	
Location	
Model #	Quantity
Specifier	

Product Code	Lamp	Finish body	Finish head	Accessories
■ A-3531-W	■ LED 6.1W (2700K / Ang 120° / >80 CRI / 350mA) 120V (included) / Typ* 665 lumens Non Dimmable (dimmable upon request)	■ 26 BLK Black ■ CUSTOM	■ 26 BLK Black ■ 61 S GLD Satin Gold ■ CUSTOM	■ 50° angle acrylic optic lens conversion kit E67353001 ■ Cord & Plug with On/Off switch



## SPECIAL REQUIREMENTS

### Custom finishes and versions

We offer custom plated or RAL finishes.  
 Alternate lamping and sizes available for projects.  
 Consult our offices.

### Custom bolted down wall lamp

Can be bolted down to tables, headboards and other.  
 Remote driver.



### Special instructions