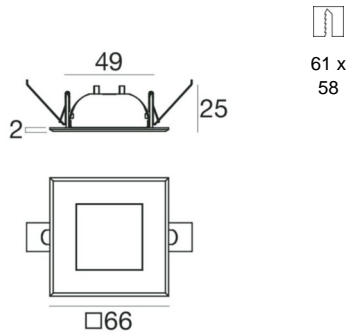
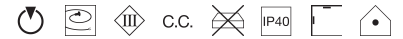




Wall Lights | 1 x powerLED 2,0 W 630 mA | CRI 80
92663C00



Technical data	
Installation position	Wall lights - Ceiling
Installation environment	Indoor
Light Source	LED
Optics	General Lighting
Power	2 W
Luminous flux (source)	266 lm
Current intensity	630mA
CCT / Tonalità	5000 K
Colour rendering index	80 Ra
C.C. / C.V.	CC
Energy class	A++
Safety class	3
IP	IP40
Glow wire test	850°
Direct mounting on normally flammable surfaces	Yes
CE	Yes
ETL	No
Operating temperature	-20°C / +50°C
Driver included	No
Induzione	No
Emergency mode	No
Directional	No
Tilting	No
Walk-over	No
Drive-over	No
Cable included	Yes
Cable length	0.12 m
Resin potting	No
Net weight	0.062 Kg

Finishing casing

Material	Aluminium
Colour	nickel
Processing	Brushing

Finishing diffuser

Material	Glass
Colour	white
Processing	Silk-screening

Electronics

	99114 DALI Push and Simply Dim Multi Power 190~250V AC / 180~275V DC
	99115 1-10V N/O button Multi Power 190~250V AC / 180~275V DC
	99129 On/Off Driver 180~300V AC
	89147 On/Off Driver 190~250V AC / 180~275V DC
	99105 On/Off Driver 180~300V AC

Wall Lights | 1 x powerLED 2,0 W 630 mA | CRI 80
92663C00

Single emission wall lights for indoor application. The cold white LED light source with a general lighting light distribution is composed of 1 powerLED LEDs with CCT of 5000 K and a CRI 80; the source luminous flux is 266 lm, with a 133.0 lm/W nominal luminous efficacy.

The device body is made of aluminium and features a nickel finish, processed by means of brushing; the diffuser is made of glass with a silk-screening treatment. The ingress protection degree is IP40; the total weight is of 0.062 kg. The power supply driver is not provided and is to be ordered separately.

The total absorbed power is 2,0 W. The power supply cable is included and features.

The device features protection class III and can be wall lights or ceiling-mounted, with a 61 x 58 mm hole (in plasterboard) with an outer casing, code 84793(for concrete or masonry).

Illuminotechnical Features	
Light Output Ratio (LOR)	69 %
Luminous flux (source)	266 lm
Luminaire luminous flux	186 lm
Consumption	2,0 W
Luminaire efficacy	93 lm/W
Colour temperature	5000 K
Colour rendering index	80 Ra

OPTICAL	
Light distribution symmetry	Symmetrical 2
Ottica C0/C180	121°
Ottica C90/C270	116°

