

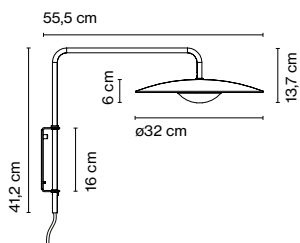
# Ginger

## Joan Gaspar

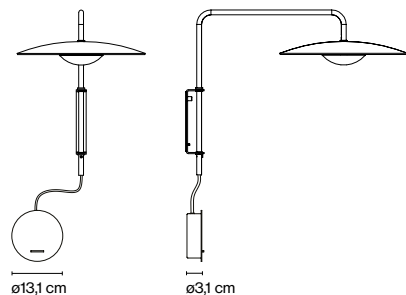
**marset**



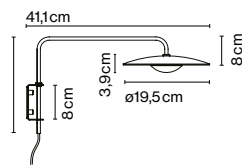
**Ginger A (Plug-in)**



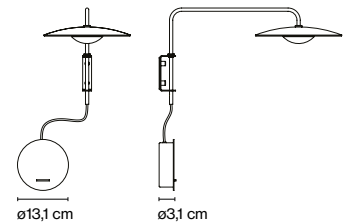
**Ginger A (Hardwired)**



**Ginger 20 A (Plug-in)**



**Ginger 20 A (Hardwired)**



**Ginger A**

LED SMD 7,8W 700mA  
2700K 1066lm (included)  
Connections available: plug-in, hardwired or recessed

Pressed wood diffuser of 4 mm in natural oak or wenge. Injected aluminium dissipater and metal structure in lacquered black matte.

dimmer \*/ dimmable \*\*



**Ginger 20 A**

LED SMD 4W 700mA 2700K  
546lm (included)  
Connections available: plug-in or hardwired

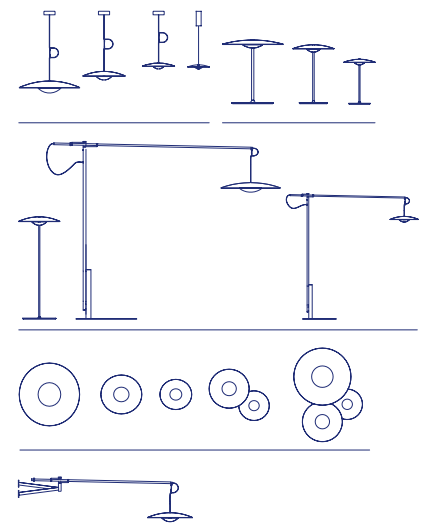
- [Download](#) Assembly Instructions
- [Download](#) Photometric Data
- [Download](#) 2D
- [Download](#) 3D
- [Download](#) Energy label

- Oak
- Wenge

Black electrical cord

\* Plug-in wall fixtures: inline motion sensor dimmer  
\*\* Hardwired wall fixtures: dimmable

**Range**



**Watch the video**  
info@marset.com  
www.marset.com

This wall version adds a simple folding structure to the lampshade, turning it into the perfect lamp for the head of a bed, to illuminate a reading corner or even to be used as an occasional lamp over a table.

### How Ginger illuminates

**Ginger 20 A**

**Ginger A**

