

# Talo wall LED - White 3000K



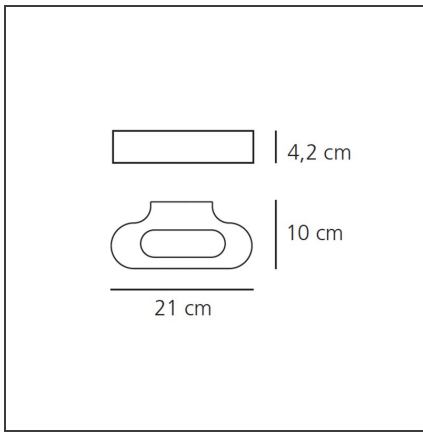
## DESIGN BY

Neil Poulton

## DESCRIPTION

IP20      Dimmerable: +  -

## TECHNICAL DRAWINGS



## FEATURES

<b>Article Code:</b>	0615010A	<b>Material:</b>	Aluminium, methacrylate, polycarbonate
<b>Colour:</b>	White	<b>Series:</b>	Design
<b>Installation:</b>	Wall	<b>Area contract:</b>	Hospitality, null
<b>Environment:</b>	Indoor	<b>Emission:</b>	Direct/indirect

## DIMENSIONS

<b>Length:</b>	cm 21	<b>Glow Wire Test:</b>	750°C
<b>Width:</b>	cm 10		
<b>Height:</b>	cm 4.2		

## INCLUDED SOURCES

<b>Category:</b>	LED	<b>Color temperature (K):</b>	3000K
<b>Number:</b>	1		
<b>Watt:</b>	20W		
<b>Delivered lumens output (lm):</b>	1500lm		
<b>Type:</b>	0		
<b>Class:</b>	A		

## LUMINAIRE

<b>Watt:</b>	20W	<b>Delivered lumens output (lm):</b>	1344lm
<b>Voltage:</b>	220V-240V	<b>CCT:</b>	3000K
		<b>Efficiency:</b>	80%
		<b>Efficacy:</b>	67.19lm/W
		<b>CRI:</b>	90
		<b>Dimmable Typology:</b>	Push