

Talo Wall - White



DESIGN BY

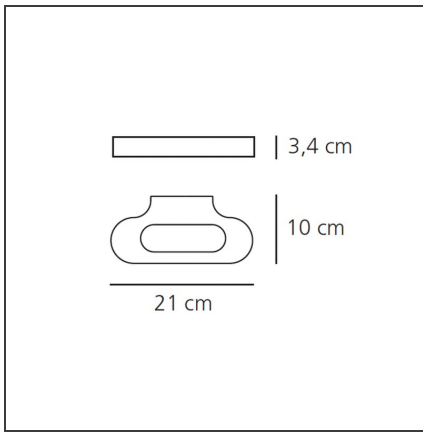
Neil Poulton

DESCRIPTION

Wall lamp in painted die-cast aluminium. Dimmable.

IP20 Dimmerable: + -

TECHNICAL DRAWINGS



FEATURES

Article Code:	0613010A	Material:	Aluminium, glass
Colour:	White	Series:	Design
Installation:	Wall	Area contract:	Hospitality, null
Environment:	Indoor	Emission:	Direct/indirect

DIMENSIONS

Length:	cm 21	Glow Wire Test:	850
Width:	cm 10		
Height:	cm 3.4		

NOT INCLUDED SOURCES

Category:	HALO	Color Rendering:	1a
Number:	1	Color temperature (K):	2950K
Watt:	120W		
Lbs:	Qt-de12		
Socket:	R7s		
Duration (h):	2000h		

ALTERNATIVE SOURCES

Category:	LED
Number:	1
Watt:	11w
Delivered lumens output (lm):	1110lm
Type:	2
Socket:	R7s
Class:	A

LUMINAIRE

Watt:	120W	Delivered lumens output (lm):	1629lm
Voltage:	220V-240V	CCT:	3000K
		Efficiency:	67%
		Efficacy:	14lm/W
		CRI:	99
		Dimmable Typology:	Push