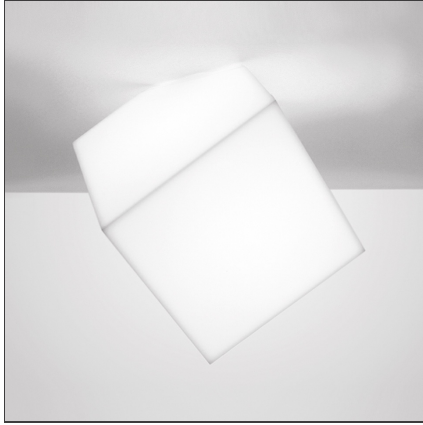
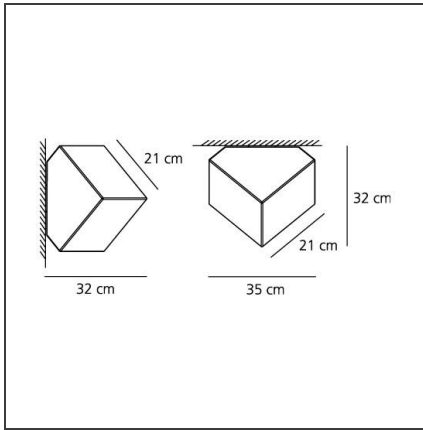


**Edge 21 - Wall/Ceiling**



IP65    Dimmerable: 

**TECHNICAL DRAWINGS**



**DESIGN BY**

Alessandro Mendini

**DESCRIPTION**

Wall support in thermoplastic resin; diffuser in thermoplastic material. Ability to mount LED light source E27 (LED light source not included).

**FEATURES**

<b>Article Code:</b>	1292010A	<b>Material:</b>	Technopolymer
<b>Colour:</b>	White	<b>Series:</b>	Design
<b>Installation:</b>	Wall,	<b>Area contract:</b>	Hospitality
<b>Environment:</b>	Ceiling Indoor	<b>Emission:</b>	Diffused

**DIMENSIONS**

<b>Width:</b>	cm 35	<b>Impact Resistance:</b>	N/D
<b>Height:</b>	cm 32	<b>Glow Wire Test:</b>	750°C

**NOT INCLUDED SOURCES**

<b>Category:</b>	FLUO	<b>Color Rendering:</b>	1b
<b>Number:</b>	1	<b>Color temperature (K):</b>	3000K
<b>Watt:</b>	20W		
<b>Lbs:</b>	Tc-tse		
<b>Socket:</b>	E27		

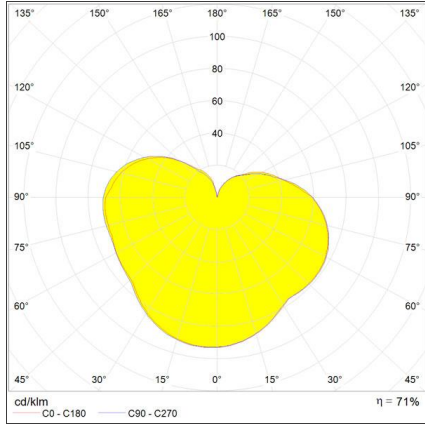
**ALTERNATIVE SOURCES**

<b>Category:</b>	LED
<b>Number:</b>	1
<b>Watt:</b>	8W
<b>Type:</b>	2
<b>Socket:</b>	E27
<b>Class:</b>	A

**LUMINAIRE**

<b>Watt:</b>	20W	<b>Delivered lumens output (lm):</b>	1200lm
<b>Voltage:</b>	220V-240V	<b>CCT:</b>	2700K
		<b>Dimmer Typology:</b>	-
		<b>Dimmable Typology:</b>	-

**LIGHT DISTRIBUTION**



We reserve the right to change our product specifications.  
Please visit [www.artemide.com](http://www.artemide.com) for the latest product information

March 2018