

Mercury Ceiling LED 3000K



DESIGN BY

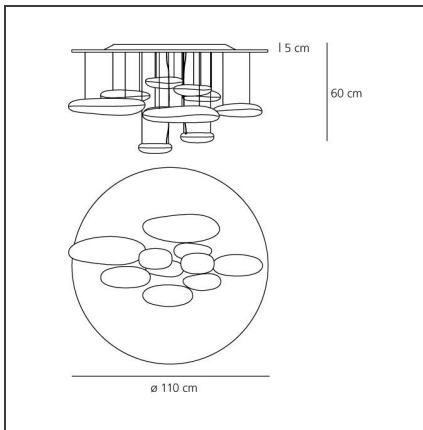
Ross Lovegrove

DESCRIPTION

Lamp available in the suspension and ceiling versions. "A ceiling fixture that places a floating assembly of large pebbles below a simple modern aluminium disc. These in turn reflect each other bouncing light between their taugth bio - morphic surfaces and reflecting the environment around them. During the day the piece acts as a sculptural object reflecting the dynamics of natural light and the movement of people around them. Die-cast aluminium lighting units; reflective units made of injection-moulded thermoplastic material with metallic finish; stainless steel reflector. Dimmable (SwitchDim).

IP20      Dimmerable: 

TECHNICAL DRAWINGS



FEATURES

Article Code:	1366110A	Material:	Aluminium, ABS, steel
Colour:	Polished chrome	Series:	Design, Hydro
Installation:	Suspension, Ceiling	Area contract:	HospitalityOfficeScenarios: ScenographyScenarios: ConnectivityScenarios: AmenitiesScenarios: WorkScenario Tag: Sartorial Residential
Environment:	Indoor	Emission:	Indirect

DIMENSIONS

Height:	cm 55	Glow Wire Test:	650
----------------	-------	------------------------	-----

INCLUDED SOURCES

Category:	LED	Color temperature (K):	3000K
Number:	2	Color Tolerance:	MacAdam 2SDCM
Watt:	29W	CRI:	90
Delivered lumens output (lm):	4230lm		
Type:	1		

LUMINAIRE

Watt:	58W	Delivered lumens output (lm):	3094lm
Voltage:	220V-240V	CCT:	3000K
		Efficiency:	54%
		Efficacy:	53.34lm/W
		CRI:	90
		Dimmer Typology:	-
		Dimmable Typology:	Push