

# Mercury Ceiling LED 2700K



## DESIGN BY

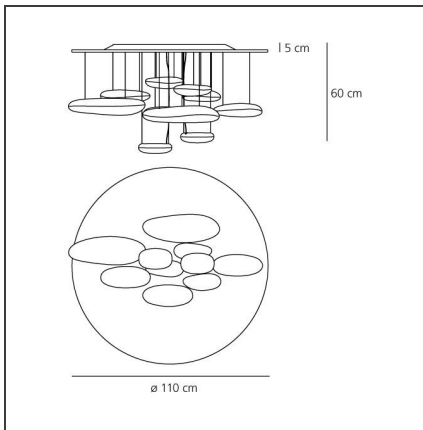
Ross Lovegrove

## DESCRIPTION

Lamp available in the suspension and ceiling versions. "A ceiling fixture that places a floating assembly of large pebbles below a simple modern aluminium disc. These in turn reflect each other bouncing light between their taugth bio - morphic surfaces and reflecting the environment around them. During the day the piece acts as a sculptural object reflecting the dynamics of natural light and the movement of people around them. Die-cast aluminium lighting units; reflective units made of injection-moulded thermoplastic material with metallic finish; stainless steel reflector. Dimmable (SwitchDim).

IP20      Dimmerable: 

## TECHNICAL DRAWINGS



## FEATURES

<b>Article Code:</b>	1366W10A	<b>Material:</b>	Aluminium, ABS,
<b>Colour:</b>	Polished chrome	<b>Series:</b>	steel
<b>Installation:</b>	Suspension,	<b>Design:</b>	Hydro
<b>Environment:</b>	Ceiling	<b>Area contract:</b>	HospitalityOfficeScenarios: ScenographyScenarios:
	Indoor		ConnectivityScenarios: AmenitiesScenarios:
		<b>Emission:</b>	WorkScenario Tag: Sartorial Residential
			Indirect

## DIMENSIONS

<b>Height:</b>	cm 55	<b>Glow Wire Test:</b>	650
----------------	-------	------------------------	-----

## INCLUDED SOURCES

<b>Category:</b>	LED	<b>Color temperature (K):</b>	2700K
<b>Number:</b>	2	<b>Color Tolerance:</b>	MacAdam 2SDCM
<b>Watt:</b>	29W	<b>CRI:</b>	90
<b>Type:</b>	1		
<b>Class:</b>	A		

## LUMINAIRE

<b>Watt:</b>	58W	<b>Delivered lumens output (lm):</b>	2893lm
<b>Voltage:</b>	220V-240V	<b>CCT:</b>	2700K
		<b>Efficiency:</b>	54%
		<b>Efficacy:</b>	49.88lm/W
		<b>CRI:</b>	90
		<b>Dimmer Typology:</b>	-
		<b>Dimmable Typology:</b>	Push