

Name: Tibeta - Set 3

Design: Christophe Mathieu / 2015

Typology: Pendant lamp

Environment: Indoor

Technical description:

3 pendant linear fixture. Each pendant is made of spun aluminum available in black chrome with black fabric cable, brilliant copper with copper metal mesh cable and antique brass with black fabric cable. Each pendant houses an LED plate diffused through opal glass.

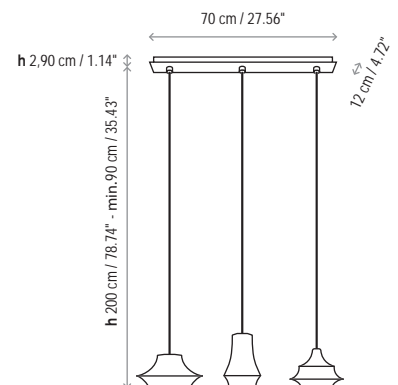


Lamps description

	Grounding: compulsory
	30.4 W LED Led: 30.4 W LED Lumens: 2155 lm CRI: 80 Degrees Kelvin: 2900°-3200°
	Voltage: 120V~60Hz
	1 Box 18.50 x 15.75 x 41.73 inches
	Vol.: 7.0382 ft <sup>3</sup> Weight: 37.48 lbs
	Certifications:
	Photometrics made according to the position the lights are shown in the catalogue and price list.

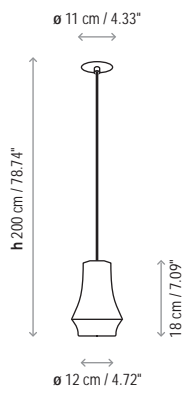
Ref	Finishings
2570420107U	Black Chrome Black Fabric Cable Black Canopy
2570420190U	Brilliant Copper Copper Metal Mesh White Canopy
2570420179U	Antique Brass Black Fabric Cable Black Canopy
Triac dimmable (like retrofit dimmable led bulbs)	
Not Customizable	

Measures



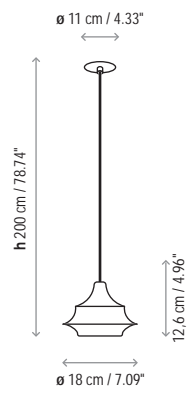
Tibeta - 01

---



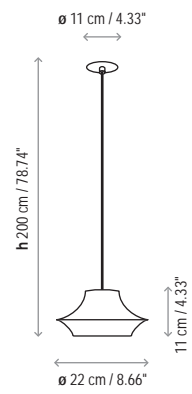
Tibeta - 02

---



Tibeta - 03

---



Tibeta - Set 3

---

