

# Atlantis, a Precious Wave.

design Barlas Baylar  
terzani.com





**TERZANI**  
LA LUCE PENSATA



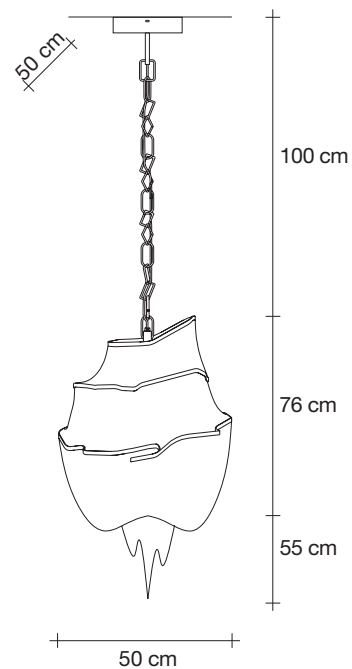
**Type |**  
Suspension

**Materials |**  
Brass chains and metal  
structure plated as below



**Finishes | Code**

-  Nickel  
0A13S E7 C8
-  Black Nickel  
0A13S E9 C8
-  Bronze  
0A13S F7 C8
-  Gold  
0A13S L6 C8

**Body |**

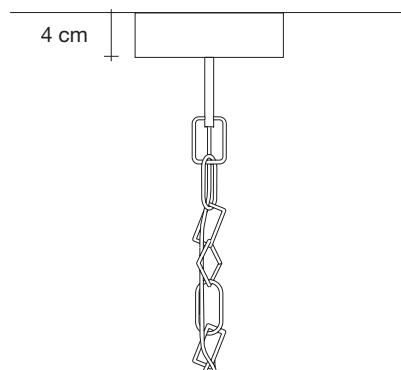
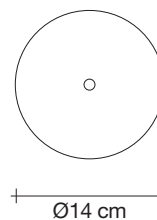


**Light Source |**  
230-240V ~ 50/60Hz

-  HALOGEN  
6 X 42W E14
- or
-  LED  
6 X 6W E14

 Dimmable with  
all systems

**Canopy |**



Seemingly alive, atlantis' shimmering light creates a vibrant source of energy. Its mesmerizing, organic effect is created by hundreds of illuminated lengths of draped, nickel chain. Like water in the ocean, atlantis' chains appear liquid, cascading over its gloss nickel bands and falling down towards the abyss before turning back into itself. Atlantis is composed of almost three miles of chain, meticulously hand-crafted by master italian artisans. Design Barlas Baylar.



75cm x 75cm x 115cm

# Atlantis, a Precious Wave.

design Barlas Baylar  
terzani.com





**TERZANI**  
LA LUCE PENSATA



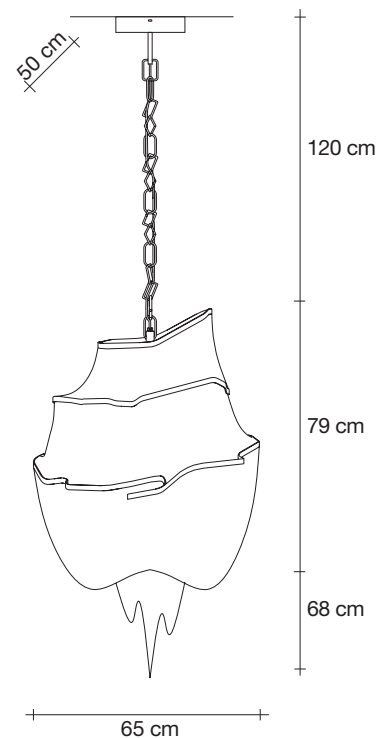
**Type |**  
Suspension

**Materials |**  
Brass chains and metal  
structure plated as below



**Finishes | Code**

-  Nickel  
0A14S E7 C8
-  Black Nickel  
0A14S E9 C8
-  Bronze  
0A14S F7 C8
-  Gold  
0A14S L6 C8

**Body |**

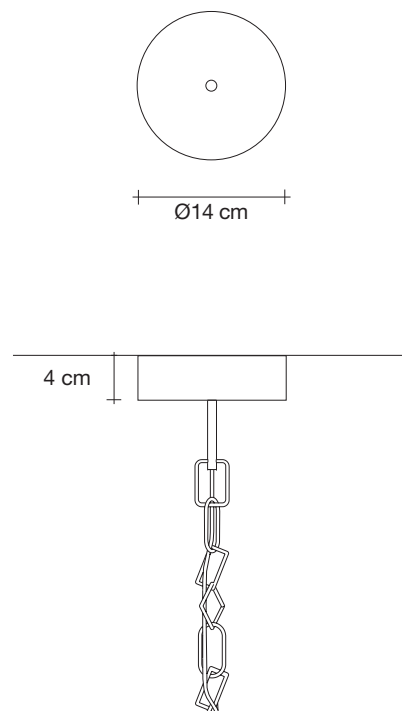


**Light Source |**  
230-240V ~ 50/60Hz

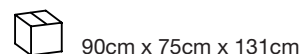
-  HALOGEN  
8 X 42W E14
- or
-  LED  
8 X 6W E14

 Dimmable with  
all systems

**Canopy |**



Seemingly alive, atlantis' shimmering light creates a vibrant source of energy. Its mesmerizing, organic effect is created by hundreds of illuminated lengths of draped, nickel chain. Like water in the ocean, atlantis' chains appear liquid, cascading over its gloss nickel bands and falling down towards the abyss before turning back into itself. Atlantis is composed of almost three miles of chain, meticulously hand-crafted by master italian artisans. Design Barlas Baylar.



# Atlantis, a Precious Wave.

design Barlas Baylar  
terzani.com





**TERZANI**  
LA LUCE PENSATA



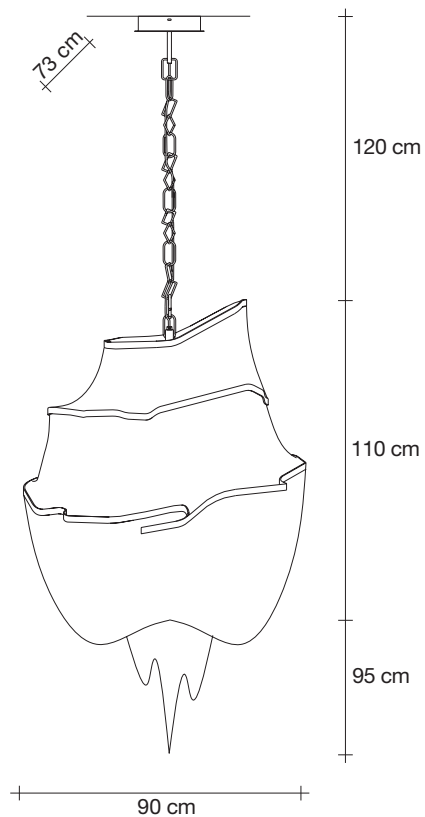
**Type |**  
Suspension

**Materials |**  
Brass chains and metal  
structure plated as below

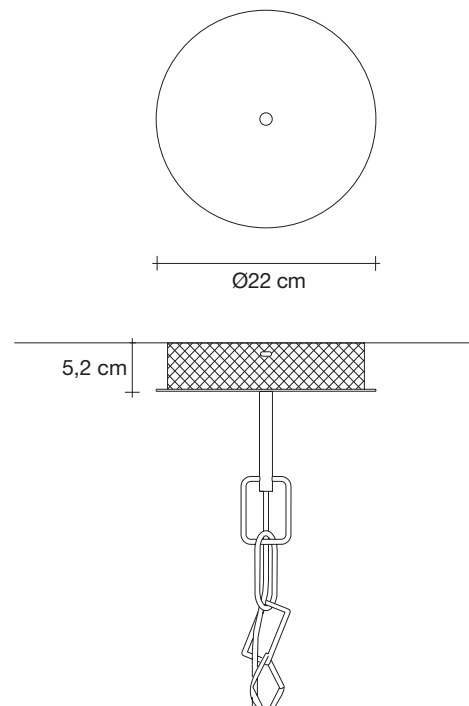
**Finishes | Code**

-  Nickel  
0A15S E7 C8
-  Black Nickel  
0A15S E9 C8
-  Bronze  
0A15S F7 C8
-  Gold  
0A15S L6 C8



**Body |**



**Canopy |**



**Light Source |**  
230-240V ~ 50/60Hz

-  HALOGEN  
8 X 42W E14
- or
-  LED  
8 X 6W E14

 Dimmable with  
all systems

Seemingly alive, atlantis' shimmering light creates a vibrant source of energy. Its mesmerizing, organic effect is created by hundreds of illuminated lengths of draped, nickel chain. Like water in the ocean, atlantis' chains appear liquid, cascading over its gloss nickel bands and falling down towards the abyss before turning back into itself. Atlantis is composed of almost three miles of chain, meticulously hand-crafted by master italian artisans. Design Barlas Baylar.



91



37



115cm x 85cm x 150cm

# Atlantis, a Precious Wave.





design Barlas Baylar  
terzani.com



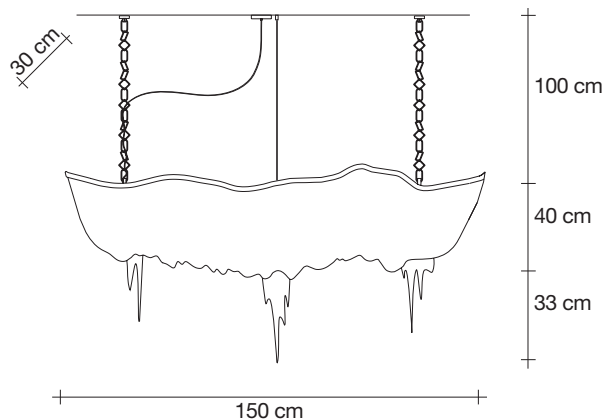
**Type |**  
Suspension

**Materials |**  
Brass chains and metal structure plated as below



**Finishes | Code**

-  Nickel  
0A18S E7 C8
-  Black Nickel  
0A18S E9 C8
-  Bronze  
0A18S F7 C8
-  Gold  
0A18S L6 C8

**Body |**

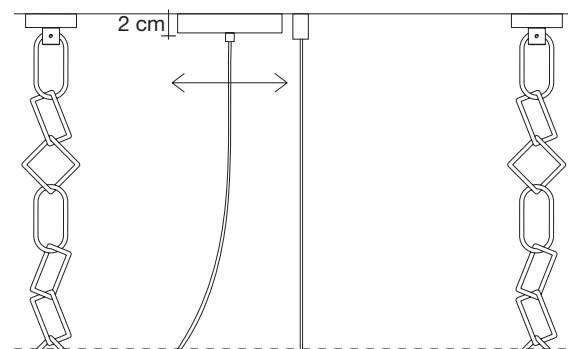
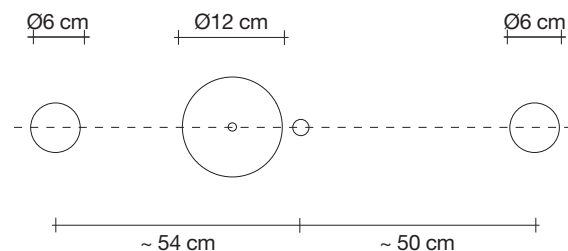


**Light Source |**  
230-240V ~ 50/60Hz

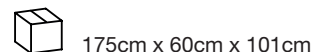
-  HALOGEN  
8 X 42W E14
- or
-  LED  
8 X 6W E14

 Dimmable with all systems

**Canopy |**



Seemingly alive, atlantis' shimmering light creates a vibrant source of energy. Its mesmerizing, organic effect is created by hundreds of illuminated lengths of draped, nickel chain. Like water in the ocean, atlantis' chains appear liquid, cascading over its gloss nickel bands and falling down towards the abyss before turning back into itself. Atlantis is composed of almost three miles of chain, meticulously hand-crafted by master italian artisans. Design Barlas Baylar.



# Atlantis, a Precious Wave.


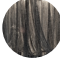


design Barlas Baylar  
terzani.com



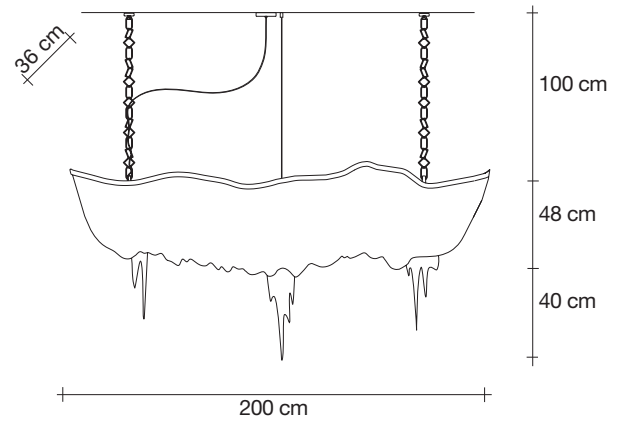
**Type |**  
Suspension

**Materials |**  
Brass chains and metal structure plated as below



**Finishes | Code**

-  Nickel  
0A17S E7 C8
-  Black Nickel  
0A17S E9 C8
-  Bronze  
0A17S F7 C8
-  Gold  
0A17S L6 C8

**Body |**

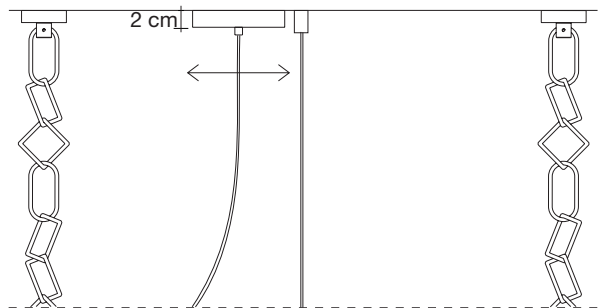
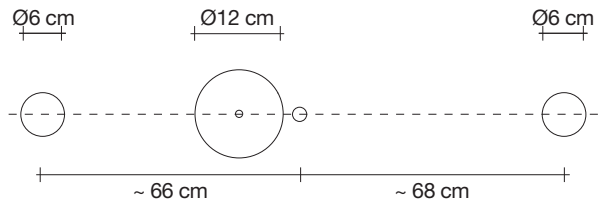


**Light Source |**  
230-240V ~ 50/60Hz

-  HALOGEN  
10 X 42W E14
- or
-  LED  
10 X 6W E14

 Dimmable with all systems

**Canopy |**



Seemingly alive, atlantis' shimmering light creates a vibrant source of energy. Its mesmerizing, organic effect is created by hundreds of illuminated lengths of draped, nickel chain. Like water in the ocean, atlantis' chains appear liquid, cascading over its gloss nickel bands and falling down towards the abyss before turning back into itself. Atlantis is composed of almost three miles of chain, meticulously hand-crafted by master italian artisans. Design Barlas Baylar.



98



41



220cm x 70cm x 106cm

# Atlantis, a Precious Wave.

design Barlas Baylar  
terzani.com





**TERZANI**  
LA LUCE PENSATA



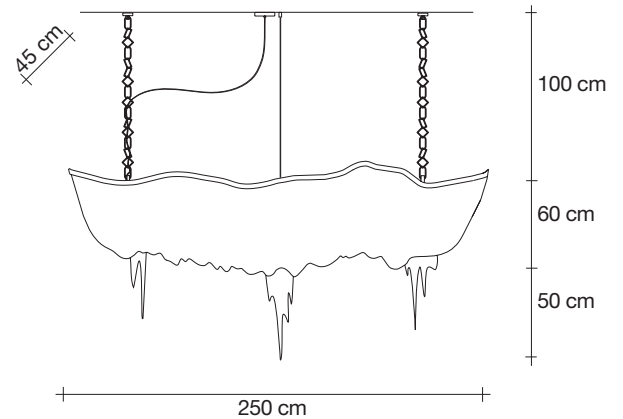
**Type |**  
Suspension

**Materials |**  
Brass chains and metal structure plated as below



**Finishes | Code**

-  Nickel  
0A16S E7 C8
-  Black Nickel  
0A16S E9 C8
-  Bronze  
0A16S F7 C8
-  Gold  
0A16S L6 C8

**Body |**

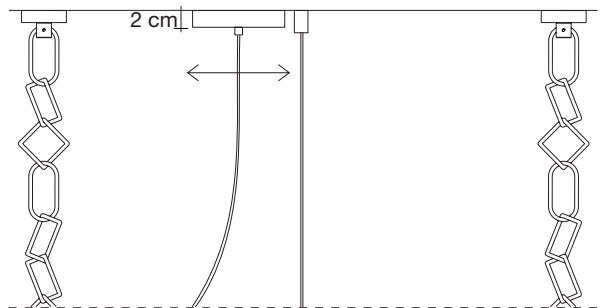
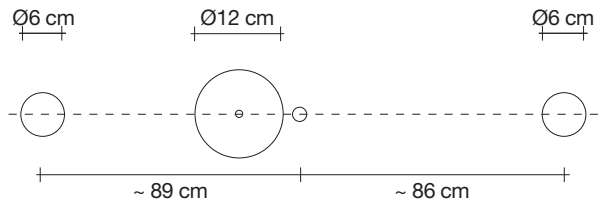


**Light Source |**  
230-240V ~ 50/60Hz

-  HALOGEN  
10 X 42W E14
- or
-  LED  
10 X 6W E14

 Dimmable with all systems

**Canopy |**



Seemingly alive, atlantis' shimmering light creates a vibrant source of energy. Its mesmerizing, organic effect is created by hundreds of illuminated lengths of draped, nickel chain. Like water in the ocean, atlantis' chains appear liquid, cascading over its gloss nickel bands and falling down towards the abyss before turning back into itself. Atlantis is composed of almost three miles of chain, meticulously hand-crafted by master italian artisans. Design Barlas Baylar.



146



66



275cm x 75 x 116cm

# Atlantis, a Precious Wave.

design Barlas Baylar  
terzani.com





**TERZANI**  
LA LUCE PENSATA



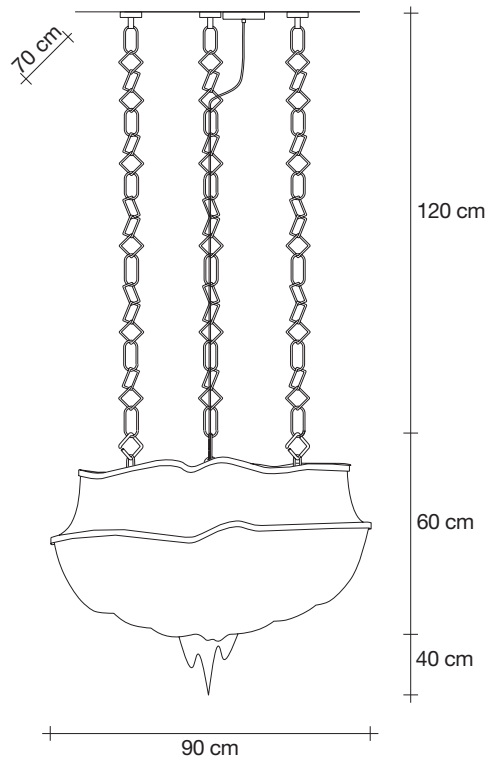
**Type |**  
Suspension

**Materials |**  
Brass chains and metal  
structure plated as below



**Finishes | Code**

-  Nickel  
OJ06S E7 C8
-  Black Nickel  
OJ06S E9 C8
-  Bronze  
OJ06S F7 C8
-  Gold  
OJ06S L6 C8

**Body |**

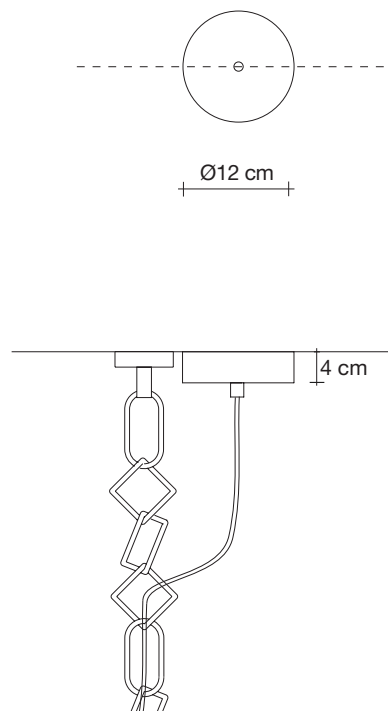


**Light Source |**  
230-240V ~ 50/60Hz

-  HALOGEN  
8 X 42W E14
- or
-  LED  
8 X 6W E14

 Dimmable with  
all systems

**Canopy |**



Seemingly alive, atlantis' shimmering light creates a vibrant source of energy. Its mesmerizing, organic effect is created by hundreds of illuminated lengths of draped, nickel chain. Like water in the ocean, atlantis' chains appear liquid, cascading over its gloss nickel bands and falling down towards the abyss before turning back into itself. Atlantis is composed of almost three miles of chain, meticulously hand-crafted by master italian artisans. Design Barlas Baylar.



110cm x 90cm x 100cm

# Atlantis, a Precious Wave.

design Barlas Baylar  
terzani.com





**TERZANI**  
LA LUCE PENSATA



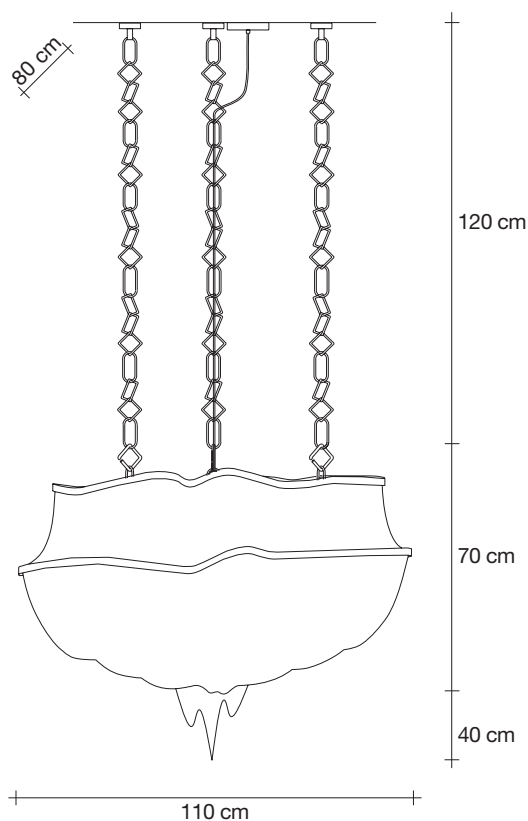
**Type |**  
Suspension

**Materials |**  
Brass chains and metal  
structure plated as below

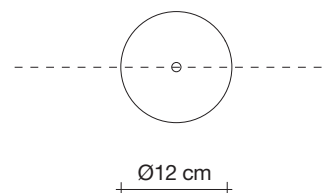
**Finishes | Code**

-  Nickel  
OJ01S E7 C8
-  Black Nickel  
OJ01S E9 C8
-  Bronze  
OJ01S F7 C8
-  Gold  
OJ01S L6 C8



**Body |**



**Canopy |**

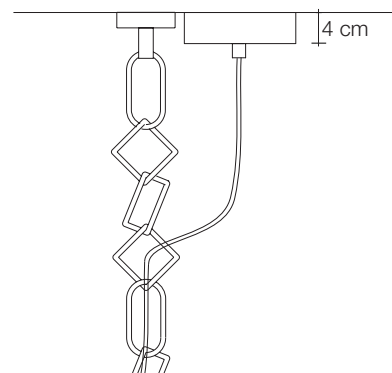


**Light Source |**  
230-240V ~ 50/60Hz

-  HALOGEN  
10 X 42W E14
- or
-  LED  
10 X 6W E14

 Dimmable with  
all systems

Seemingly alive, atlantis' shimmering light creates a vibrant source of energy. Its mesmerizing, organic effect is created by hundreds of illuminated lengths of draped, nickel chain. Like water in the ocean, atlantis' chains appear liquid, cascading over its gloss nickel bands and falling down towards the abyss before turning back into itself. Atlantis is composed of almost three miles of chain, meticulously hand-crafted by master italian artisans. Design Barlas Baylar.



92



45



135cm x 100cm x 110cm



# Atlantis, a Precious Wave.

design Barlas Baylar  
terzani.com





**TERZANI**  
LA LUCE PENSATA



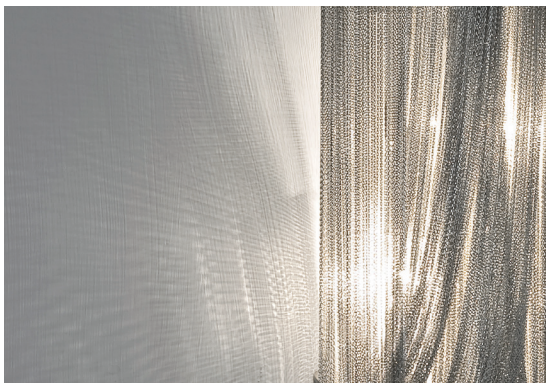
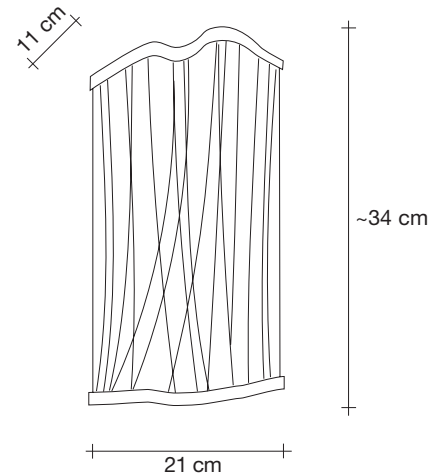
**Type |**  
Suspension

**Materials |**  
Brass chains and metal  
structure plated as below

**Finishes | Code**

-  Nickel  
OJ04A E7 C8
-  Black Nickel  
OJ04A E9 C8
-  Bronze  
OJ04A F7 C8
-  Gold  
OJ04A L6 C8

Body |



**Light Source |**  
220-240V ~ 50/60Hz



HALOGEN  
2 X 42W E14

or

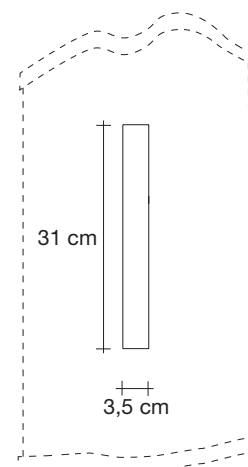


LED  
2 X 6W E14



Dimmable with  
all systems

Canopy |



Seemingly alive, atlantis' shimmering light creates a vibrant source of energy. Its mesmerizing, organic effect is created by hundreds of illuminated lengths of draped, nickel chain. Like water in the ocean, atlantis' chains appear liquid, cascading over its gloss nickel bands and falling down towards the abyss before turning back into itself. Atlantis is composed of almost three miles of chain, meticulously hand-crafted by master italian artisans. Design Barlas Baylar.



# Atlantis, a Precious Wave.

design Barlas Baylar  
terzani.com





**TERZANI**  
LA LUCE PENSATA



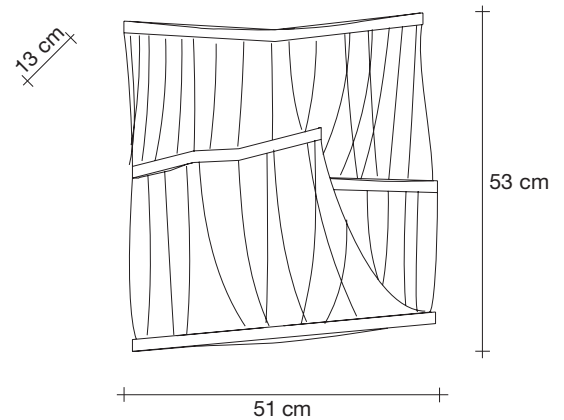
**Type |**  
Suspension

**Materials |**  
Brass chains and metal  
structure plated as below

**Finishes | Code**

-  Nickel  
OJ03A E7 C8
-  Black Nickel  
OJ03A E9 C8
-  Bronze  
OJ03A F7 C8
-  Gold  
OJ03A L6 C8



**Body |**



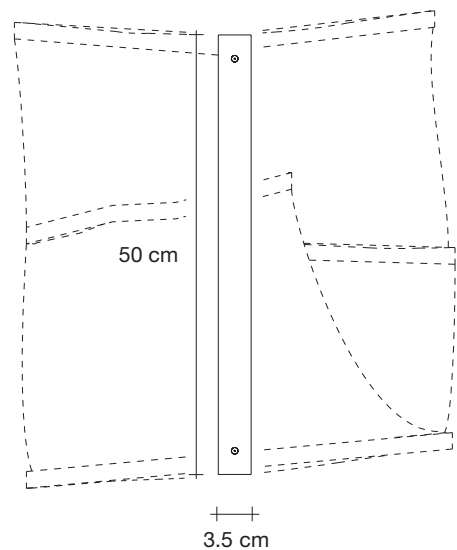
**Canopy |**



**Light Source |**  
220-240V ~ 50/60Hz

-  HALOGEN  
4 X 42W E14
- or
-  LED  
4 X 6W E14

 Dimmable with  
all systems



Seemingly alive, atlantis' shimmering light creates a vibrant source of energy. Its mesmerizing, organic effect is created by hundreds of illuminated lengths of draped, nickel chain. Like water in the ocean, atlantis' chains appear liquid, cascading over its gloss nickel bands and falling down towards the abyss before turning back into itself. Atlantis is composed of almost three miles of chain, meticulously hand-crafted by master italian artisans. Design Barlas Baylar.

